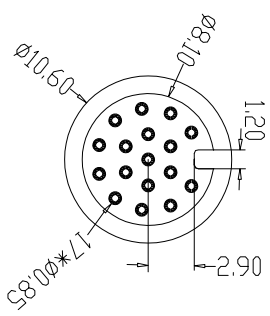
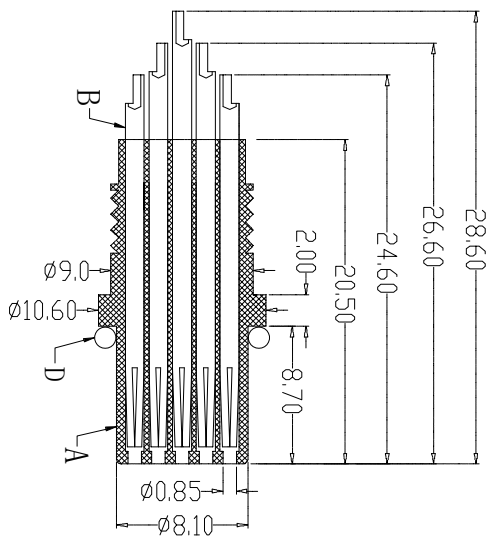
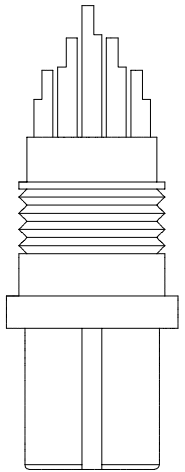
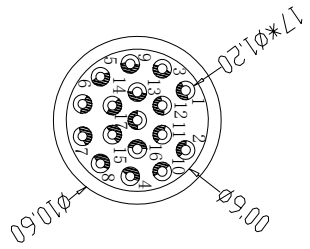
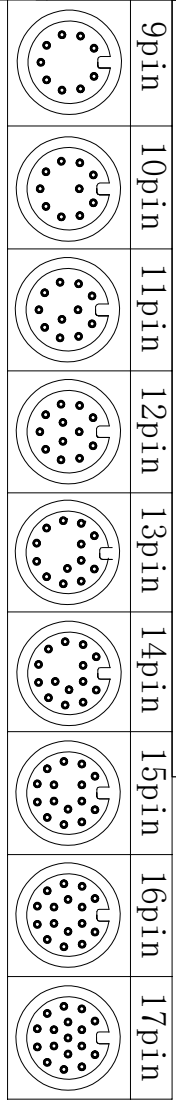
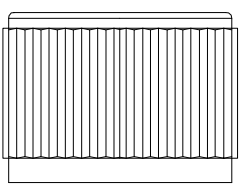
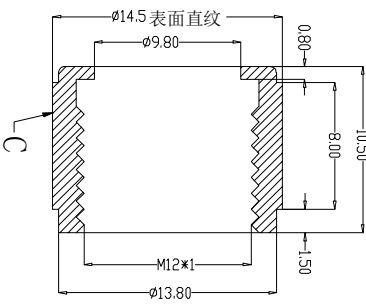
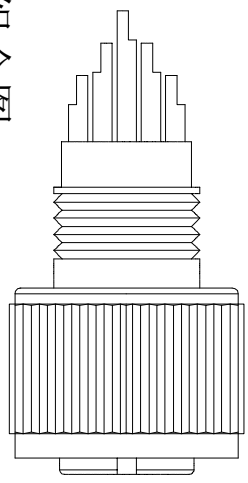


The product using material and processing must conform to the "WL-PZ-001"HSF technical standard control requirements



P/N	TITLE
M12A09-08-102	M12防水 A-CODE 9P 线端母头+10.5L 直纹螺母
M12A10-08-102	M12防水 A-CODE 10P 线端母头+10.5L 直纹螺母
M12A11-08-102	M12防水 A-CODE 11P 线端母头+10.5L 直纹螺母
M12A12-08-102	M12防水 A-CODE 12P 线端母头+10.5L 直纹螺母
M12A13-08-102	M12防水 A-CODE 13P 线端母头+10.5L 直纹螺母
M12A14-08-102	M12防水 A-CODE 14P 线端母头+10.5L 直纹螺母
M12A15-08-102	M12防水 A-CODE 15P 线端母头+10.5L 直纹螺母
M12A16-08-102	M12防水 A-CODE 16P 线端母头+10.5L 直纹螺母
M12A17-08-102	M12防水 A-CODE 17P 线端母头+10.5L 直纹螺母

组合图



Engagement force	≤50N	Rated voltage	30V	PARTS	A HOUSING B CONTACT C NUT D O-RING E	MATERIALS	PA66+GF BRASS BRASS EPDM	TREATMENT	SPECIFY COLOR GOLD PLATED NICKL. PLATED BLACK	AMOUNT	1 9~17 1 1
Disengagement force	≥10N	Rated current	1.5A								
Mechanical lifespan	≥500	Insulation resistance	≥1000MΩ								
IP rating	IP67/IP68	Contract resistance	≤10MΩ								
Flammability	UL94 V-0	Operation Temperature	-40° C~105° C								

REVISION RECORD	DATE	GENERAL TOLERANCES	SCALE:	NAME	DATE	PART.NO:	DWG.NO:
NEW RELEASE	21.11.17	LINEAR	1:1			M12XXX-08-102	ENDE05
		ANGLES	X'REF±6°	APPROVED			
		UNIT:mm	X±3'	DESIGNER		TITLE:	
		SIZE:A4	X'X'±2'	DRAWN		M12防水 9~17P线端母头+10.5L 直纹螺母	



REV: AO SHEET: 1/1