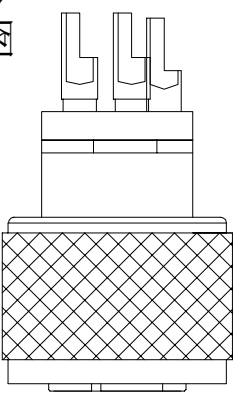
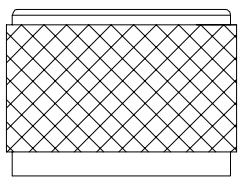
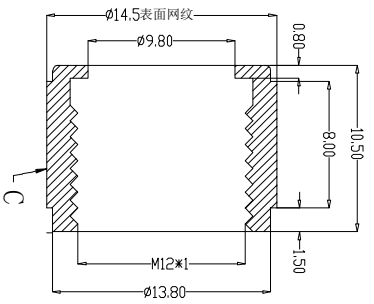
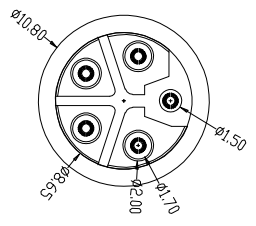
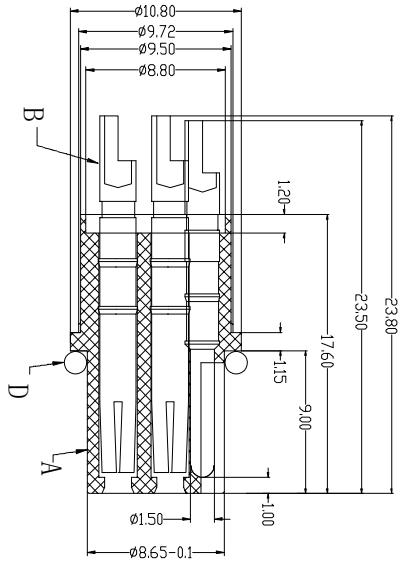
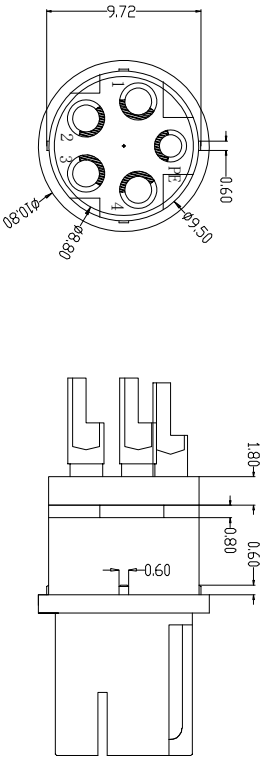
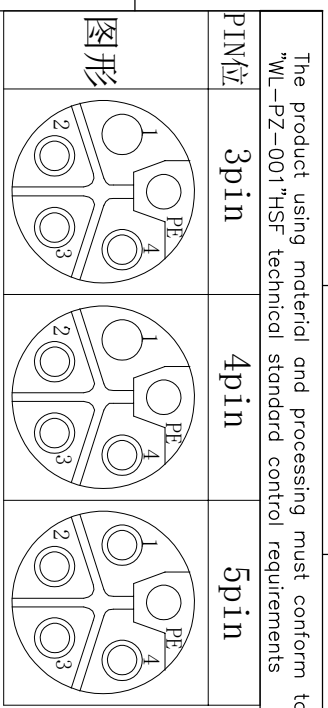


The product using material and processing must conform to the "WL-PZ-001"HSF technical standard control requirements



组合图

P/N	TITLE	Engagement force	Rated voltage	63v	PARTS	MATERIALS	TREATMENT	AMOUNT
M12L03-08-105	M12防水 L-CODE 3PP线端母头 B款10.5L防振六角螺母	≥50N	Rated current	16A	A HOUSING	PA66+GF	SPECIFY COLOR	1
M12L04-08-105	M12防水 L-CODE 4PP线端母头 B款10.5L防振六角螺母	≥500	Insulation resistance	≥1000MΩ	B CONTACT	BRONZE	GOLD PLATED	3*5
M12L05-08-105	M12防水 L-CODE 5PP线端母头 B款10.5L防振六角螺母	IP rating	Contract resistance	≤10MΩ	C NUT	BRASS	NICKL PLATED	1
		Flammability	Operation Temperature	-40° C~105° C	D O-RING	EPDM	BLACK	1

REV.	REVISION RECORD	DATE	GENERAL TOLERANCES	SCALE:	NAME	DATE	PART.NO:	DWG.NO:	
AO	NEW RELEASE	21.11.17	LINEAR 0.0±0.35	1:1			M12XXX-08-105	ENDE05	
			ANGLES X'REF±6°	APPROVED					
			UNIT:mm 0.00±0.25	DESIGNER					
			SIZE:A4 0.000±0.10	DRAWN					
		TITLE: M12防水 3~5PP线端母头 L-CODE 10.5L防振六角螺母							
		REV: AO						SHEET: 1/1	



Wanlian Technology Co., Ltd