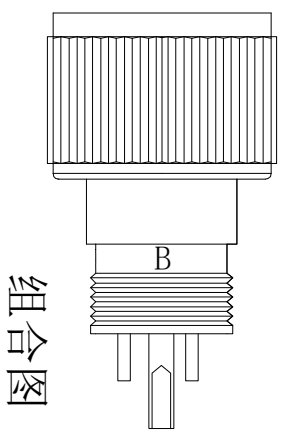
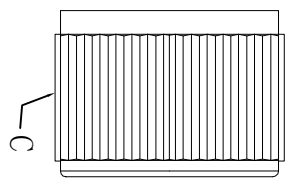
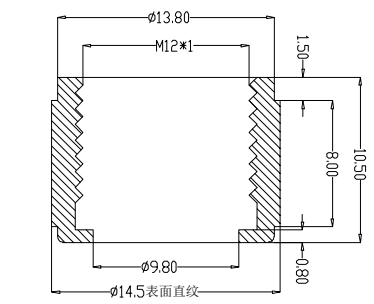
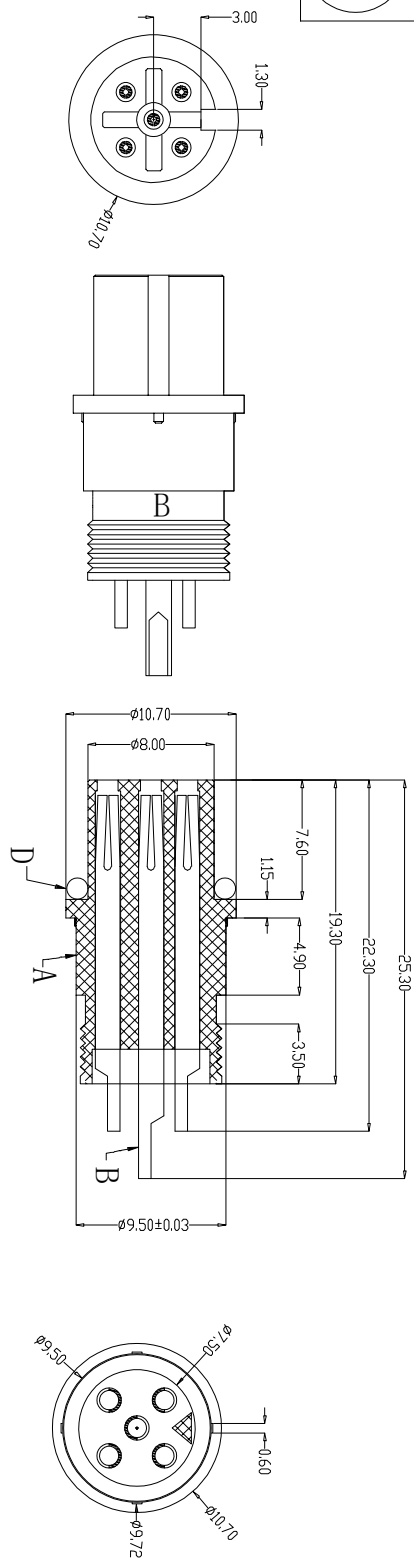


The product using material and processing must conform to the "WL-PZ-001"HSF technical standard control requirements

PIN位	2pin	3pin/4芯3	4pin	5pinE方形	6pin	7pin	8pin
A-CODE 图形							

B-CODE 图形							
-----------	--	--	--	--	--	--	--

D-CODE 图形							
-----------	--	--	--	--	--	--	--



组合图

P/N	TITLE	Engagement force	Rated voltage	Rated current	Insulation resistance	Contract resistance	IP rating	Flammability	Operation Temperature	Partitions	Materials	Treatment	Amount
M12A02-08-106	M12防水 A-CODE 2P线端母头 B款10.5L直纹螺母	≤50N	2-5pin:60V 6-8pin:30V	2-5pin:4A 6-8pin:2A	≥500	≥1000MΩ	IP67/IP68	UL94 V-0	-40° C~105° C	A	HOUSING PA66+GF	SPECIFY COLOR	1
M12A03-08-106	M12防水 A-CODE 3P线端母头 B款10.5L直纹螺母	≥50N	Rated voltage	Rated current	Insulation resistance	Contract resistance	IP rating	Flammability	Operation Temperature	B	CONTACT BRASS	GOLD PLATED	2*8
M12A04-08-106	M12防水 A-CODE 4P线端母头 B款10.5L直纹螺母	≥500	Rated voltage	Rated current	Insulation resistance	Contract resistance	IP rating	Flammability	Operation Temperature	C	NUT BRASS	NICKL PLATED	1
M12A05-08-106	M12防水 A-CODE 5P线端母头 B款10.5L直纹螺母	≤10MΩ	Rated voltage	Rated current	Insulation resistance	Contract resistance	IP rating	Flammability	Operation Temperature	D	O-RING EPDM	BLACK	1
M12A06-08-106	M12防水 A-CODE 6P线端母头 B款10.5L直纹螺母	UL94 V-0	Rated voltage	Rated current	Insulation resistance	Contract resistance	IP rating	Flammability	Operation Temperature	E			
M12A07-08-106	M12防水 A-CODE 7P线端母头 B款10.5L直纹螺母												
M12A08-08-106	M12防水 A-CODE 8P线端母头 B款10.5L直纹螺母												
M12B02-08-106	M12防水 B-CODE 2P线端母头 B款10.5L直纹螺母												
M12B03-08-106	M12防水 B-CODE 3P线端母头 B款10.5L直纹螺母												
M12B04-08-106	M12防水 B-CODE 4P线端母头 B款10.5L直纹螺母												
M12B05-08-106	M12防水 B-CODE 5P线端母头 B款10.5L直纹螺母												
M12D02-08-106	M12防水 D-CODE 2P线端母头 B款10.5L直纹螺母												
M12D03-08-106	M12防水 D-CODE 3P线端母头 B款10.5L直纹螺母												
M12D04-08-106	M12防水 D-CODE 4P线端母头 B款10.5L直纹螺母												

REV.	REVISION RECORD	DATE	GENERAL TOLERANCES		SCALE:	NAME	DATE	PART.NO:	DWG.NO:	Wanlian Technology Co., Ltd	
AO	NEW RELEASE	21.11.17	LINEAR	ANGLES	1:1	APPROVED		M12XXX-08-106	ENDE05	REV: AO	SHEET: 1/1
			0.0±0.35	X'REF±6°		DESIGNER		TITLE: M12防水 2~8P线端母头 B款10.5L直纹螺母			
			UNIT:mm	X'±3'		DRAWN					
			SIZE: A4	X'X' ±2'							
			0.00±0.25								
			0.000±0.10								

