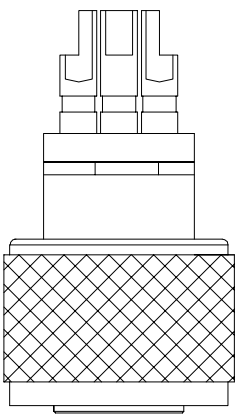
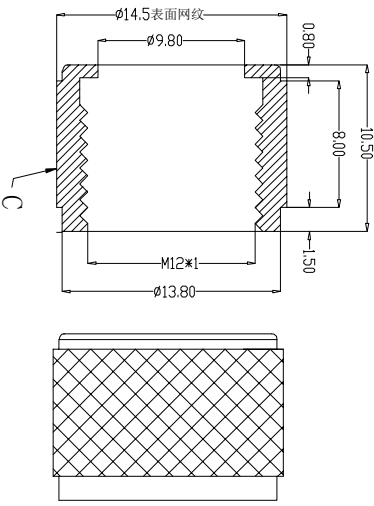
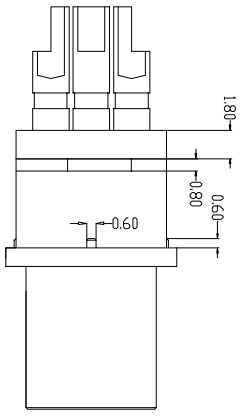
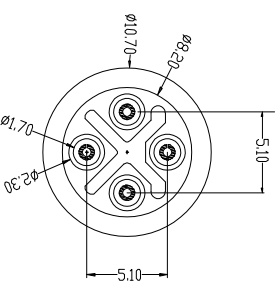
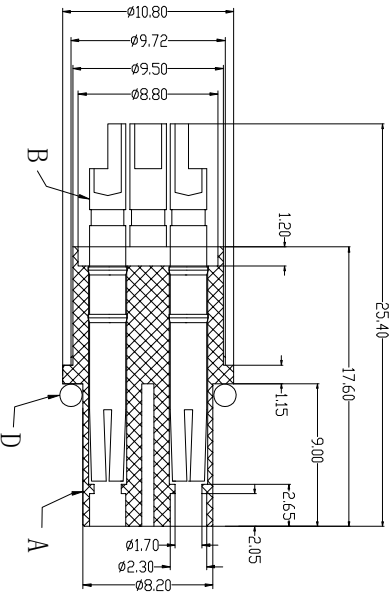
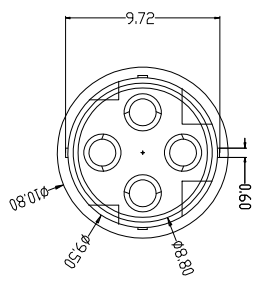


The product using material and processing must conform to the "WL-PZ-001"HSF technical standard control requirements



PIN位	3pin	4pin
图形		



组合图

P/N		TITLE		Engagement force	≤50N	Rated voltage	630v	PARTS	MATERIALS	TREATMENT	AMOUNT
M12S03-08-108	M12防水 3P线端母头 S-CODE+10. 5L网纹螺母	M12S04-08-108	M12防水 4P线端母头 S-CODE+10. 5L网纹螺母	Disengagement force	≥10N	Rated current	12A	A	HOUSING	PA66+GF	1
				Mechanical lifespan	≥500	Insulation resistance	≥1000MΩ	B	CONTACT	BRONZE	3~4
				IP rating	IP67/IP68	Contract resistance	≤10MΩ	C	NUT	BRASS	1
				Flammability	UL94 V-0	Operation Temperature	-40° C~105° C	D	O-RING	EPDM	1

REV.	REVISION RECORD	DATE	GENERAL TOLERANCES	SCALE:	NAME	DATE	PART.NO:	DWG.NO:
AO	NEW RELEASE	21.11.17	LINEAR	1:1			M12XXX-08-108	ENDE05
			ANGLES	APPROVED				
			0.0±0.35	X'REF±6°	DESIGNER			
			0.00±0.25	X'±3'	DRAWN			
			0.000±0.10	X'X' ±2°				
			UNIT:mm				TITLE:	
			SIZE: A4				M12防水3~4P 线端母头 S-CODE+10. 5L网纹螺母	
								REV: AO
								SHEET: 1/1

