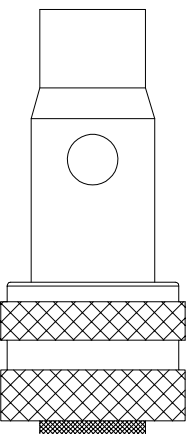
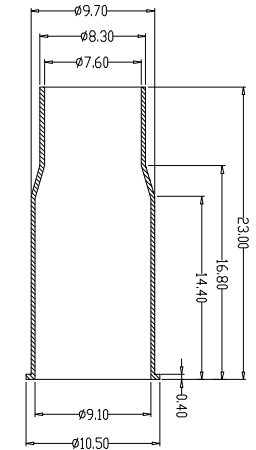
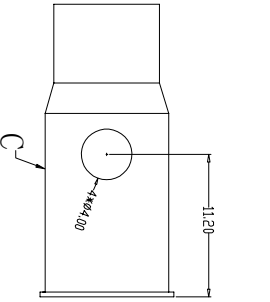
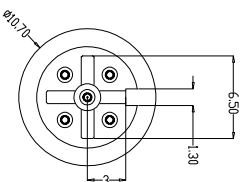
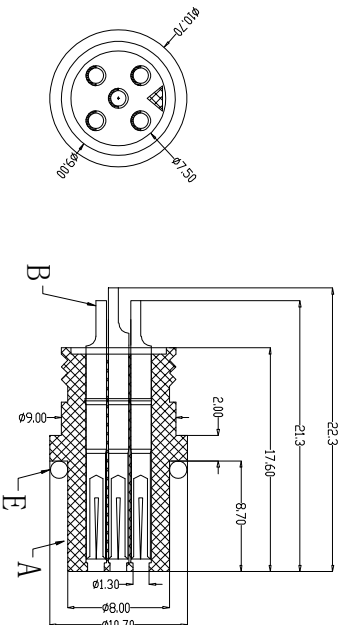
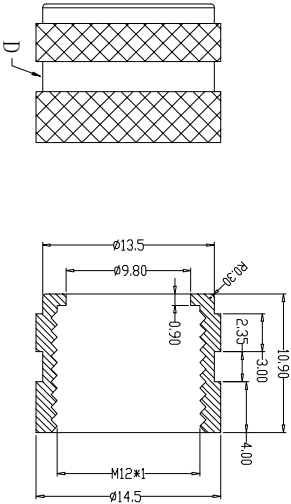


The product using material and processing must conform to the "WL-PZ-001"HSF technical standard control requirements



pin位	2pin	3pin改3	4pin	5pin正方形	6pin	7pin	8pin
A-CODE图形							
B-CODE图形							
D-CODE图形							



组合图

P/N	TITLE	Engagement force	Rated voltage	Rated current	Insulation resistance	Contract resistance	Operation Temperature	PARTS	MATERIALS	TREATMENT	AMOUNT
M12A02-08-109	M12防水 A-CODE 2P线端母头 L _{J1} +23L压接屏蔽管+10.9L双网纹螺母	≤50N	2-5pin:60V 6-8pin:30V	2-5pin:30V 6-8pin:4A	≥1000MΩ	≤10MΩ	-40° C~105° C	A HOUSING	PA66+GF	GOLD PLATED	1
M12A03-08-109	M12防水 A-CODE 3P线端母头 L _{J1} +23L压接屏蔽管+10.9L双网纹螺母	≥5N	Rated current	2-5pin:4A 6-8pin:2A	≥1000MΩ	≤10MΩ	-40° C~105° C	B CONTACT	BRASS	GOLD PLATED	2*8
M12A04-08-109	M12防水 A-CODE 4P线端母头 L _{J1} +23L压接屏蔽管+10.9L双网纹螺母	≥500	Insulation resistance					C OUTER CONTACT	BRASS	NICKL PLATED	1
M12A05-08-109	M12防水 A-CODE 5P线端母头 L _{J1} +23L压接屏蔽管+10.9L双网纹螺母	IP67/IP68	Contract resistance					D NUT	BRASS	NICKL PLATED	1
M12A06-08-109	M12防水 A-CODE 6P线端母头 L _{J1} +23L压接屏蔽管+10.9L双网纹螺母	UL94 V-0	Operation Temperature					E O-RING	EPM	BLACK	1
M12A07-08-109	M12防水 A-CODE 7P线端母头 L _{J1} +23L压接屏蔽管+10.9L双网纹螺母										
M12A08-08-109	M12防水 A-CODE 8P线端母头 L _{J1} +23L压接屏蔽管+10.9L双网纹螺母										
M12B02-08-109	M12防水 B-CODE 2P线端母头 L _{J1} +23L压接屏蔽管+10.9L双网纹螺母										
M12B03-08-109	M12防水 B-CODE 3P线端母头 L _{J1} +23L压接屏蔽管+10.9L双网纹螺母										
M12B04-08-109	M12防水 B-CODE 4P线端母头 L _{J1} +23L压接屏蔽管+10.9L双网纹螺母										
M12B05-08-109	M12防水 B-CODE 5P线端母头 L _{J1} +23L压接屏蔽管+10.9L双网纹螺母										
M12D02-08-109	M12防水 D-CODE 2P线端母头 L _{J1} +23L压接屏蔽管+10.9L双网纹螺母										
M12D03-08-109	M12防水 D-CODE 3P线端母头 L _{J1} +23L压接屏蔽管+10.9L双网纹螺母										
M12D04-08-109	M12防水 D-CODE 4P线端母头 L _{J1} +23L压接屏蔽管+10.9L双网纹螺母										

REV.	REVISION RECORD	DATE	GENERAL TOLERANCES SCALE: 1:1			NAME	DATE	PART.NO:	DWG.NO:	REVISION RECORD	
AO	NEW RELEASE	21.11.17	LINEAR	ANGLES	APPROVED		M12XXX-08-109	ENDE05	TITLE: M12防水 线端母头 L _{J1} +23L压接屏蔽管+10.9L双网纹螺母		REV: AO SHEET: 1/1
			0.0±0.35	X'REF±6°	DESIGNER				DRAWN		
			0.00±0.25	X'±3'							
			0.000±0.10	X'X' ±2'							

