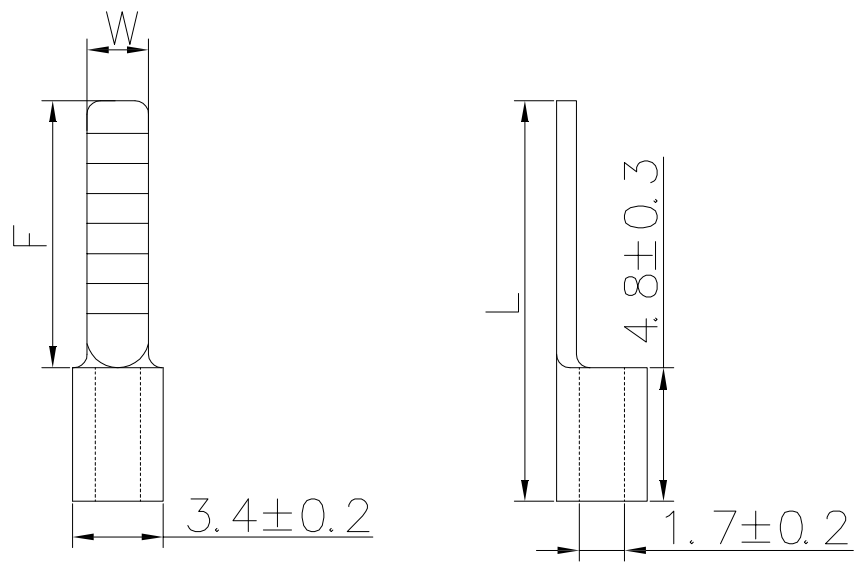


The product using material and processing must conform to the "WL-PZ-001"HSF technical standard control requirements

RoHS

| Item NO.料号         | mm/inch 主要尺寸 |          |          |
|--------------------|--------------|----------|----------|
|                    | W            | L        | F        |
| WLLA20-100AA030A01 | 2.3±0.2      | 14.8±0.3 | 10.0±0.3 |
| WLLA20-140AA030A01 | 2.3±0.2      | 18.8±0.3 | 14.0±0.3 |
| WLLA20-180AA030A02 | 2.2±0.2      | 22.8±0.3 | 18.0±0.3 |



- 备注:
1. 接压线径: 0.5-1.5mm<sup>2</sup> (22-16AWG)
  2. 端子材质: 紫铜, 厚度: 0.75±0.03  
缝隙: 焊接
  3. 表面处理: 镀锡, 镀层厚度: 2.5 μm-5 μm,  
镀层温度: 120° /2小时
  5. 接线类型: 绞合线
  6. 最大电流: 19A

| REV. | REVISION RECORD | DATE     |          | GENERAL TOLERANCES |          | SCALE: 1:1 | NAME     | DATE                  | PART.NO:           | DWG.NO: |  |
|------|-----------------|----------|----------|--------------------|----------|------------|----------|-----------------------|--------------------|---------|--|
| A0   | NEW RELEASE     | 22.05.09 |          | LINEAR             | ANGLES   | APPROVED   | Wang_jr  | 22.05.09              | WLLA20-XXXAA030XXX | ENDE05  |  |
|      |                 |          | 0.0±0.35 | X'REF±6°           | DESIGNER | Han_Gao    | 22.05.09 | TITLE:                |                    |         |  |
|      |                 |          | UNIT:mm  | 0.00±0.25          | X'±3'    | DRAWN      |          | 无绝缘护套片形单粒端子 DBN1.25系列 |                    |         |  |
|      |                 |          | SIZE: A4 | 0.000±0.10         | X'X' ±2' |            |          | REV: A0               | SHEET: 1/1         |         |  |