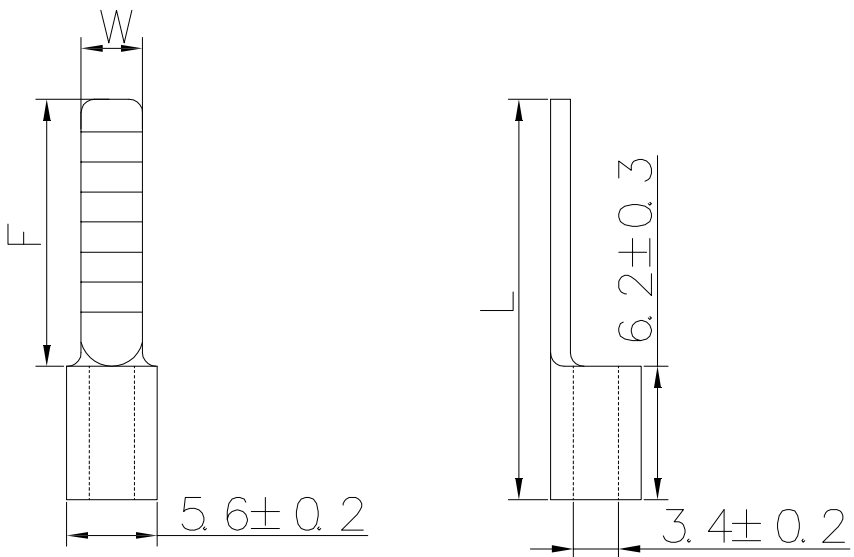


The product using material and processing must conform to the "WL-PZ-001" HSF technical standard control requirements

Item NO.料号	mm/inch 主要尺寸		
	W	L	F
WLLA20-100AD030A01	2.8±0.2	16.2±0.3	10.0±0.3
WLLA20-140AD030A01	4.5±0.2	21.0±0.3	14.0±0.3
WLLA20-180AD030A01	4.5±0.2	23.0±0.3	18.0±0.3

RoHS



- 备注:
1. 接压线径: 4-6mm² (12-10AWG)
 2. 端子材质: 紫铜, 厚度: 1.0±0.03
缝隙: 焊接
 3. 表面处理: 镀锡, 镀层厚度: 2.5 μm-5 μm,
镀层温度: 120° /2小时
 5. 接线类型: 绞合线
 6. 最大电流: 48A

REV.	REVISION RECORD	DATE		GENERAL TOLERANCES		SCALE: 1:1	NAME	DATE	PART.NO:	DWG.NO:	
A0	NEW RELEASE	22.05.09			LINEAR	ANGLES	APPROVED	Wang_jr	22.05.09	WLLA20-XXXAD030XXX	
			UNIT:mm	0.00±0.25	X'±3'	DESIGNER	Han_Gao	22.05.09	TITLE:		无绝缘护套片单粒端子 DBN5.5系列 REV: A0 SHEET: 1/1
			SIZE: A4	0.000±0.10	X'X' ±2'	DRAWN	LanXuan_Hou	22.05.09			