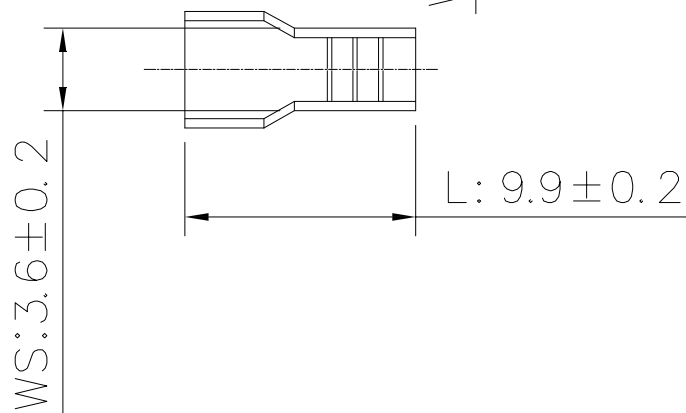
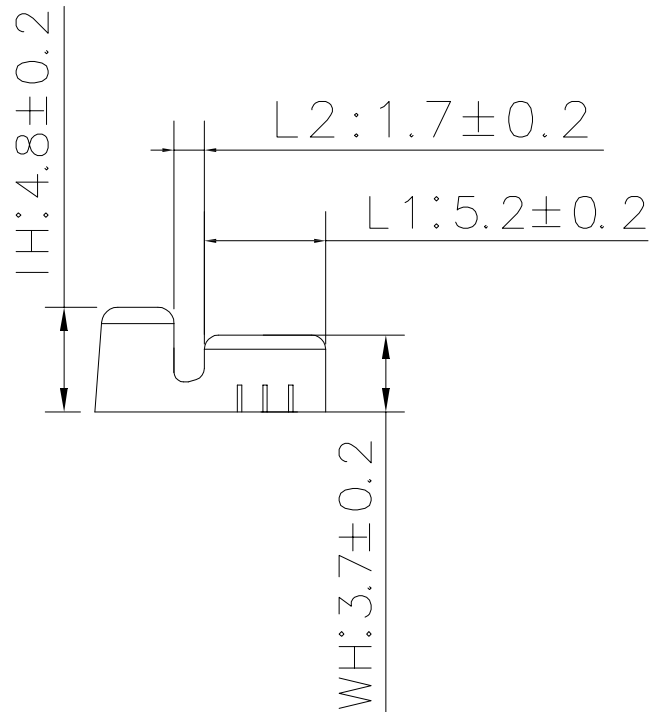
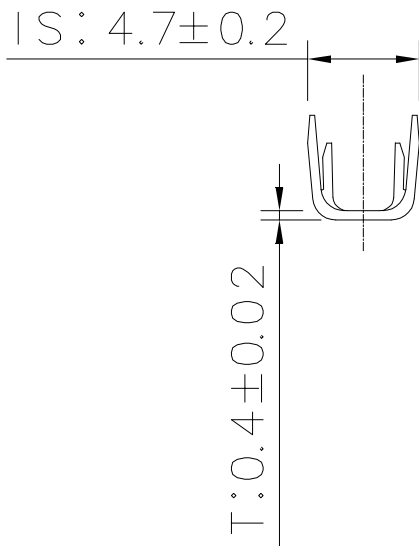


The product using material and processing must conform to the "WL-PZ-001"HSF technical standard control requirements

RoHS



备注:

1. 接压线径: 16-20AWG
2. 端子材质: 黄铜

REV.	REVISION RECORD	DATE		GENERAL TOLERANCES		SCALE: 1:1	NAME	DATE	PART.NO:	DWG.NO:	
AO	NEW RELEASE	22.05.09		LINEAR $0.0 \pm 0.35$	ANGLES $X' \text{REF} \pm 6'$	APPROVED	Wang_jr	22.05.09	WLLB20-000AA010B57	ENDE05	
			UNIT:mm	$0.00 \pm 0.25$	$X' \pm 3'$	DESIGNER	Han_Gao	22.05.09			REV: A0
			SIZE: A4	$0.000 \pm 0.10$	$X'X' \pm 2'$	DRAWN	LanXuan_Hou	22.05.09			SHEET: 1/1