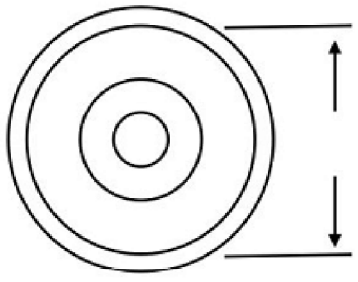
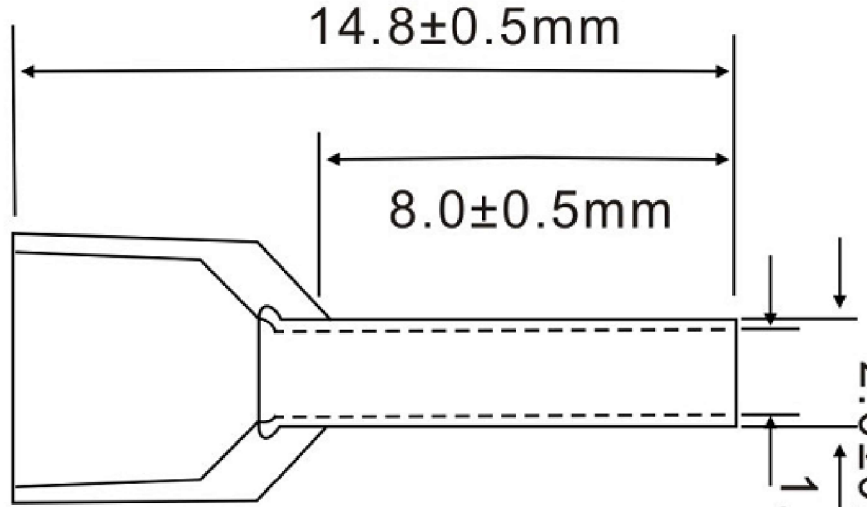


The product using material and processing must conform to the "WL-PZ-001"HSF technical standard control requirements

RoHS



3.7±0.3mm



14.8±0.5mm

8.0±0.5mm

2.0±0.05mm

1.7±0.05mm

- 备注:
1. 接压线径: 1.5mm²
 2. 端子材质: 紫铜 壁厚: 0.15±0.03
 3. 绝缘材质: 尼龙 绝缘护套温度: 105℃ 绝缘套颜色: 红色
 4. 表面处理: 镀锡 镀层厚度: 2.5um-5um 镀层温度: 120° /2小时
 5. 接线线类型: 实心或绞合

REV.	REVISION RECORD	DATE	GENERAL TOLERANCES		SCALE:	NAME	DATE	PART NO:	DWG. NO:	 万连科技 Wanlian Technology Co., Ltd
A0	NEW RELEASE	21.11.17	LINEAR	ANGLES	1:1	Wang_jr	21.11.17	WLL12-000AB03CA06	ENDE05	
			0.0±0.35	X°REF±6°	APPROVED	DESIGNER	TITLE:	尼龙绝缘护套管型端子		
			UNIT:mm	X'±3°	DRAWN	Zijun_Huang	21.11.17			
			SIZE: A4	0.000±0.10				REV: A0	SHEET: 1/1	

1 2 3 4 5 6 7 8