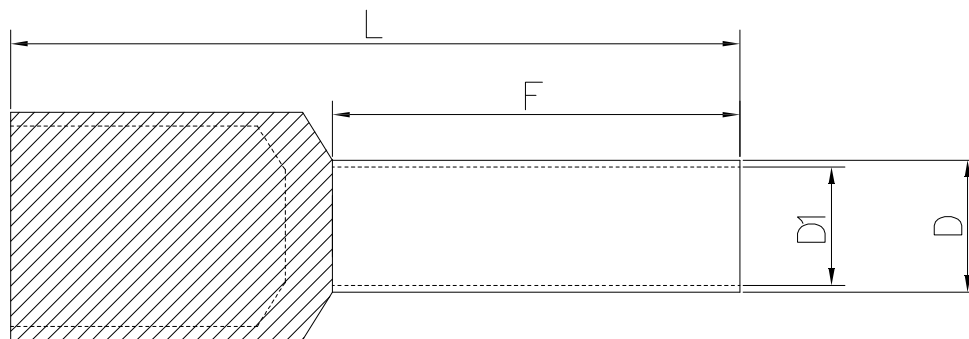
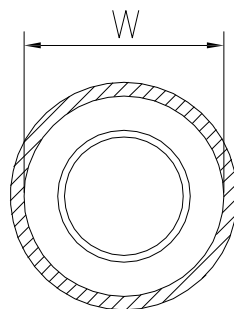


The product using material and processing must conform to the "WL-PZ-001"HSF technical standard control requirements

RoHS



备注:

1. 端子材质: 紫铜, 壁厚:  $0.18 \pm 0.03$
2. 绝缘材质: 尼龙, 绝缘护套温度:  $105^\circ \text{C}$ ,  
绝缘护套颜色: 红色
3. 表面处理: 镀雾锡, 镀层温度:  $120^\circ / 2$ 小时
4. 接线类型: 绞合线

料号 Item NO	导线截面Cable Size		mm/inch 主要尺寸				
	A.W.G	mm <sup>2</sup>	D $\pm 0.1$	D1 $\pm 0.1$	W $\pm 0.3$	F $\pm 0.5$	L $\pm 0.5$
WLLE14-000AD03CB23	#10	6.0	3.9	3.5	6.0	10.0	19.5
WLLE14-000AD03CB24						12.0	21.5
WLLE14-000AD03CB25						18.0	27.5

REV.	REVISION RECORD	DATE		GENERAL TOLERANCES		SCALE: 1:1	NAME	DATE	PART.NO:	DWG.NO:	 WanLian Teconology Co., Ltd
AO	NEW RELEASE	22.04.13		LINEAR	ANGLES	APPROVED	Wang_jr	22.04.13	WLLE14-000AD03CXXX	ENDE05	
			0.0 $\pm 0.35$	X'REF $\pm 6^\circ$	DESIGNER	Han_Gao	22.04.13	TITLE:			
			UNIT:mm	0.00 $\pm 0.25$	X' $\pm 3^\circ$	DRAWN	LanXuan_Hou	22.04.13	半绝缘尼龙绝缘护套管型端子 压线#10	REV: A0	
			SIZE: A4	0.000 $\pm 0.10$	X'X' $\pm 2^\circ$						