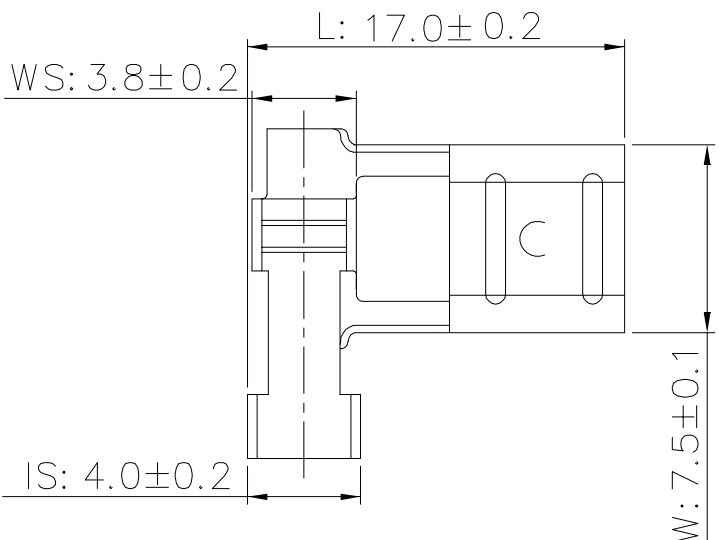
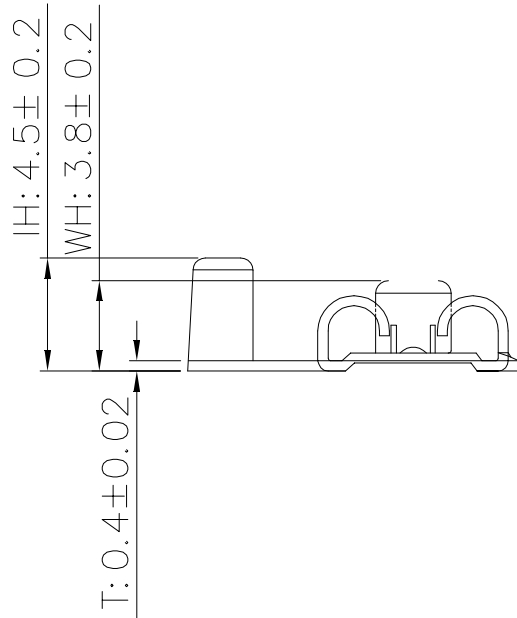
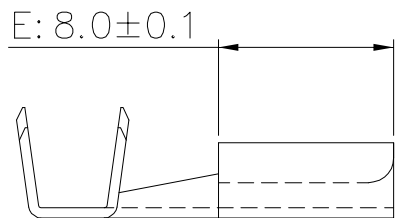


The product using material and processing must conform to the "WL-PZ-001"HSF technical standard control requirements

RoHS



- 备注:
1. 接线: 14-18AWG
  2. 端子材质: 黄铜, 表面处理: 镀锡
  3. 对插端子: 250公端/T=0.8
  4. 拔力范围:  $\geq 5.0\text{kg}$ , 插力范围:  $\leq 4.0\text{kg}$

REV.	REVISION RECORD	DATE		GENERAL TOLERANCES		SCALE: 1:1	NAME	DATE	PART.NO:	DWG.NO:	
A0	NEW RELEASE	22.05.09		LINEAR	ANGLES	APPROVED	Wang_jr	22.05.09	WLLF1F0-A22910001	ENDE05	
			UNIT:mm	0.00±0.25	X'±3'	DESIGNER	Han_Gao	22.05.09	TITLE:		WanLian Teconology Co., Ltd REV: A0    SHEET: 1/1
			SIZE: A4	0.000±0.10	X'X' ±2'	DRAWN	LanXuan_Hou	22.05.09	250系列旗形插片连续端子		