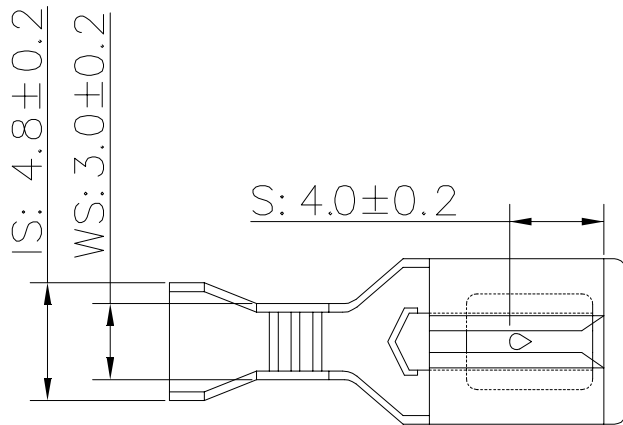
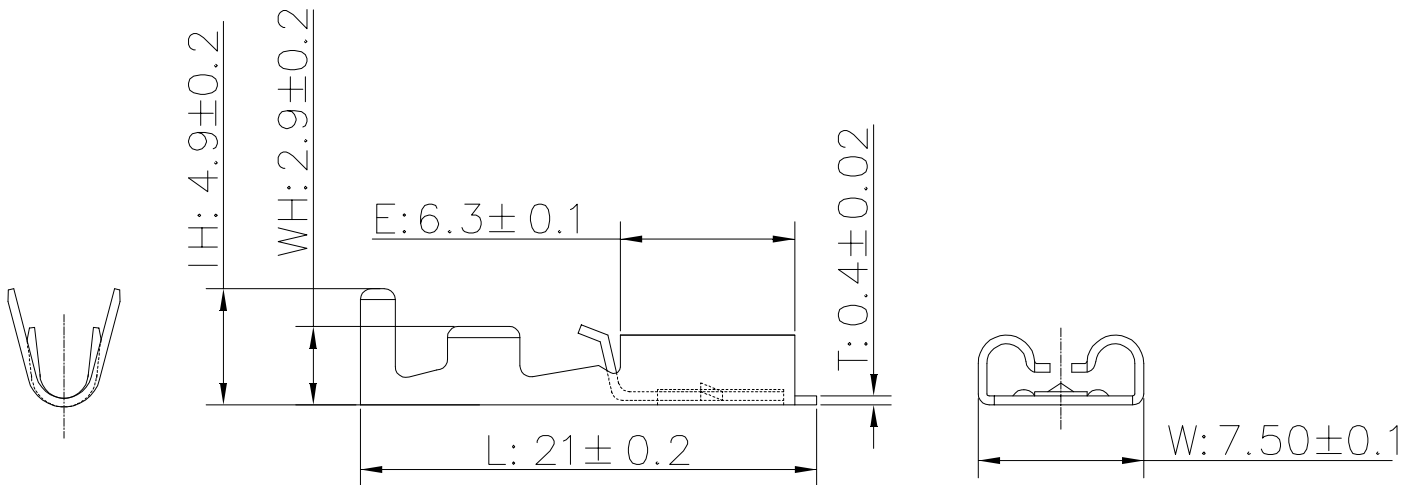


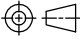

The product using material and processing must conform to the "WL-PZ-001"HSF technical standard control requirements

RoHS



备注:

1. 接线: 22-24AWG
2. 端子材质: 黄铜, 表面处理: 镀锡
3. 对插端子: 250公端/T=0.5
4. 拔力范围:  $\geq 9.0\text{kg}$ , 插力范围:  $\leq 7.0\text{kg}$

REV.	REVISION RECORD	DATE		GENERAL TOLERANCES		SCALE: 1:1	NAME	DATE	PART.NO:	DWG.NO:	 WanLian Teconology Co., Ltd
A0	NEW RELEASE	22.05.09			LINEAR $0.0 \pm 0.35$	ANGLES $X^\circ \text{REF} \pm 6'$	APPROVED	Wang_jr	22.05.09	WLLF1F0-A31010001	
			UNIT:mm	$0.00 \pm 0.25$	$X^\circ \pm 3'$	DESIGNER	Han_Gao	22.05.09	TITLE: 250系列直型插片带锁连续端子		REV: A0 SHEET: 1/1
			SIZE: A4	$0.000 \pm 0.10$	$X^\circ X' \pm 2''$	DRAWN	LanXuan_Hou	22.05.09			