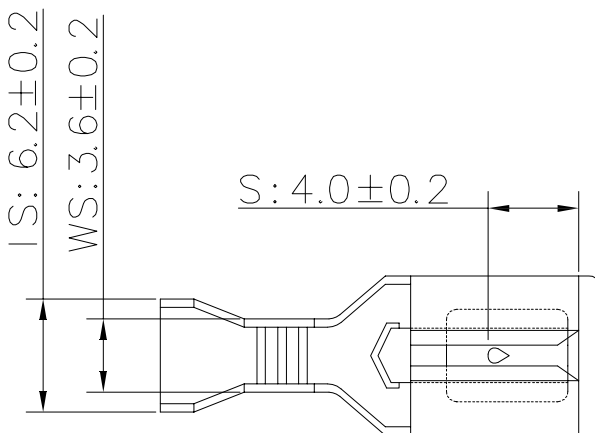
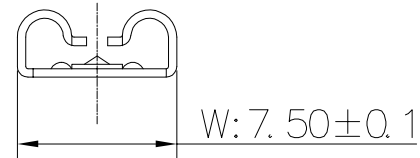
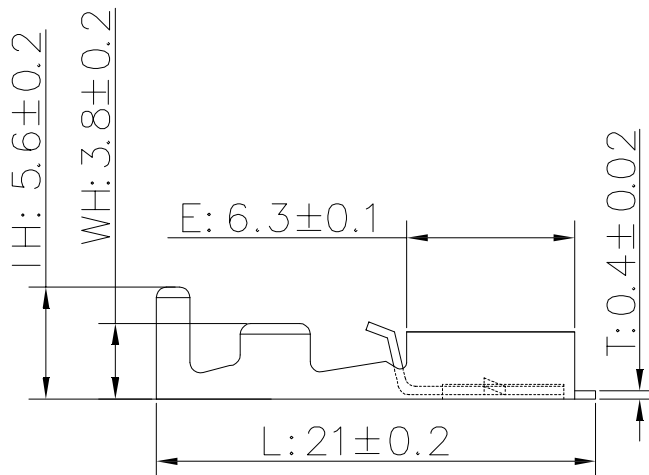
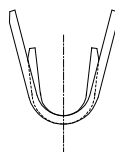


The product using material and processing must conform to the "WL-PZ-001" HSF technical standard control requirements

RoHS



备注:

1. 接线: 14-18AWG
2. 端子材质: 黄铜, 表面处理: 镀锡
3. 对插端子: 250公端/T=0.8
4. 拔力范围:  $\geq 9.0\text{kg}$ , 插力范围:  $\leq 7.0\text{kg}$

REV.	REVISION RECORD	DATE		GENERAL TOLERANCES		SCALE:	NAME	DATE	PART.NO:	DWG.NO:	
AO	NEW RELEASE	22.05.09			LINEAR	ANGLES	1:1	Wang_jr	22.05.09	WLLF1F0-AA1010002	
				0.00±0.35	X'REF±6°	APPROVED	Han_Gao	22.05.09	TITLE: 250系列直型插片带锁连续端子L=21		WanLian Teconology Co., Ltd
			UNIT:mm	0.00±0.25	X'±3°	DESIGNER	LanXuan_Hou	22.05.09			
			SIZE: A4	0.000±0.10	X'X' ±2°	DRAWN			REV: A0	SHEET: 1/1	