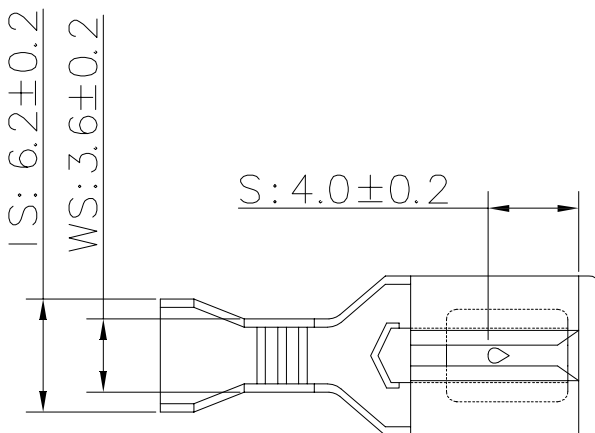
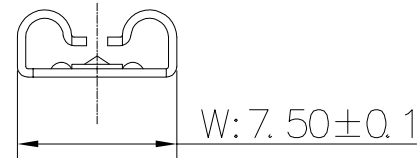
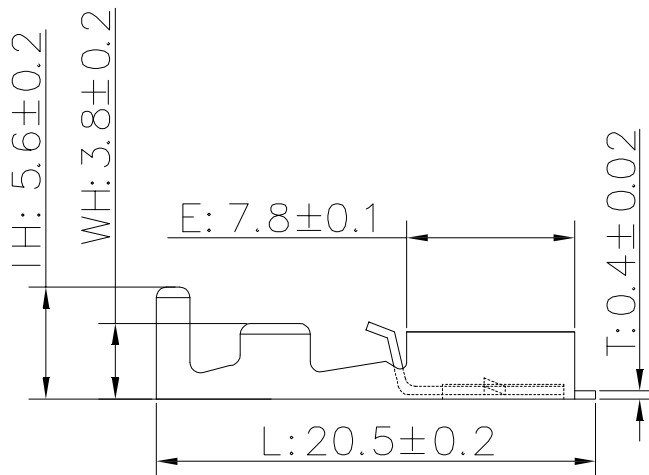
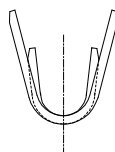


The product using material and processing must conform to the "WL-PZ-001"HSF technical standard control requirements

RoHS



备注:

1. 接线: 14-18AWG
2. 端子材质: 黄铜, 表面处理: 镀锡
3. 对插端子: 250公端/T=0.8
4. 拔力范围: $\geq 9.0\text{kg}$, 插力范围: $\leq 7.0\text{kg}$

REV.	REVISION RECORD	DATE		GENERAL TOLERANCES		SCALE: 1:1	NAME	DATE	PART.NO:	DWG.NO:	
AO	NEW RELEASE	22.05.09			LINEAR 0.0±0.35	ANGLES X°REF±6°	APPROVED	Wang_jr	22.05.09	WLLF1F0-AA1010003	
			UNIT:mm	0.00±0.25	X°±3°	DESIGNER	Han_Gao	22.05.09	TITLE: 250系列直型插片带锁连续端子L=20.5		
			SIZE: A4	0.000±0.10	X°X' ±2°	DRAWN	LanXuan_Hou	22.05.09			