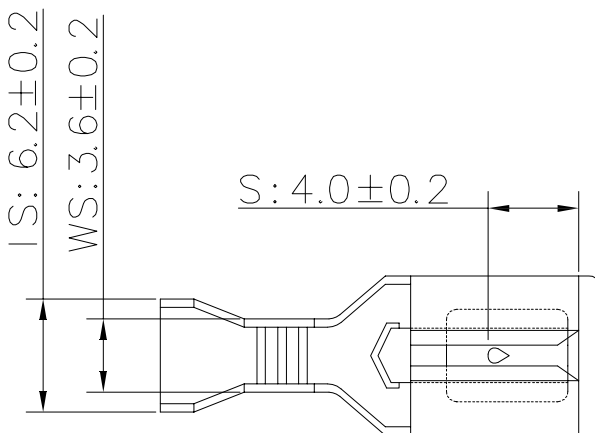
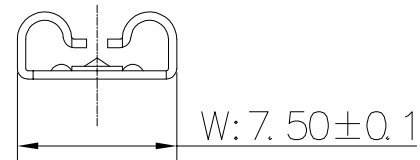
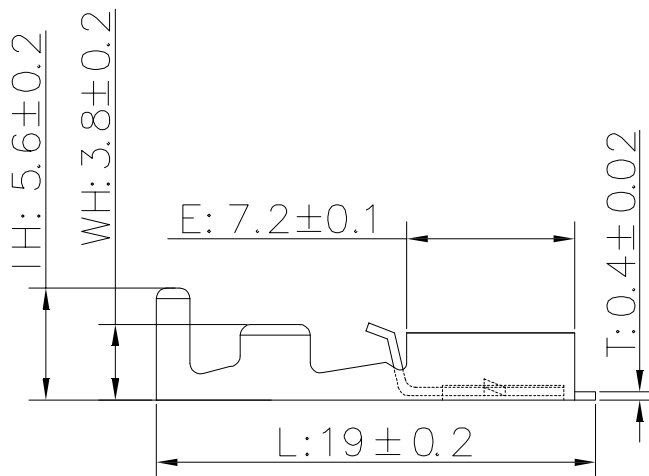
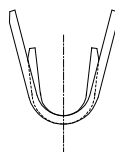


The product using material and processing must conform to the "WL-PZ-001"HSF technical standard control requirements

RoHS



备注:

1. 接线: 14-18AWG
2. 端子材质: 黄铜, 表面处理: 镀锡
3. 对插端子: 250公端/T=0.8
4. 拔力范围: $\geq 9.0\text{kg}$, 插力范围: $\leq 7.0\text{kg}$

REV.	REVISION RECORD	DATE		GENERAL TOLERANCES		SCALE:	NAME	DATE	PART.NO:	DWG.NO:		
AO	NEW RELEASE	22.05.09		LINEAR 0.0 ± 0.35 UNIT:mm SIZE: A4	ANGLES $X^\circ \text{REF} \pm 6'$ $X^\circ \pm 3'$ $X^\circ X' \pm 2''$	1:1	Wang_jr	22.05.09	WLLF1F0-AA1010004	ENDE05		TITLE: 250系列直型插片带锁连续端子L=19
					APPROVED	Han_Gao	22.05.09					
					DESIGNER	LanXuan_Hou	22.05.09					
					DRAWN							