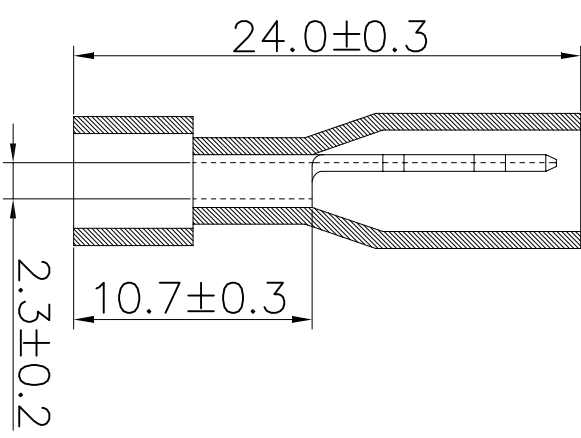
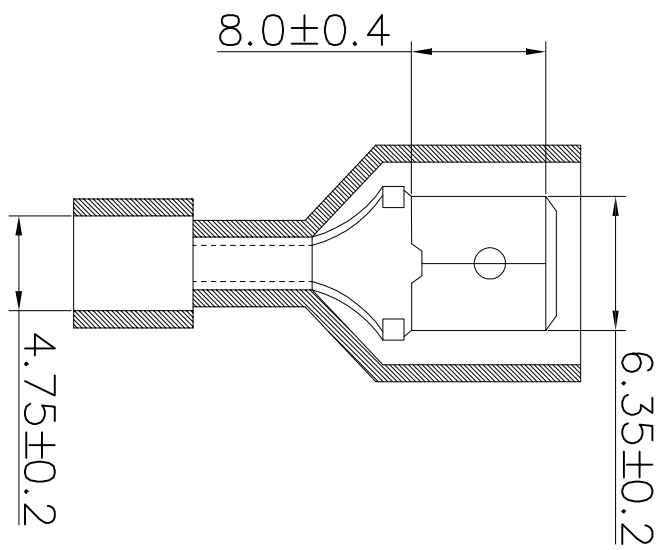
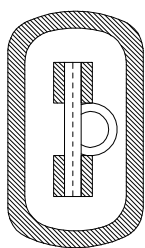


The product using material and processing must conform to the "WL-PZ-001"HSF technical standard control requirements

RoHS



- 备注:
1. 接压线径: 1.5-2.5mm<sup>2</sup> (16-14AWG)
  2. 端子材质: 黄铜 对擦片规格: 0.8\*6.35 厚度: 0.4\*2±0.03
  3. 绝缘材质: 尼龙 绝缘护套温度: 105℃ 绝缘护套颜色: 蓝色
  4. 表面处理: 镀锡 镀层厚度: 2.5um-5um 镀层温度: 120° /2小时
  5. 接线类型: 绞合线
  6. 最大电流: 24A

REV.	REVISION RECORD	DATE	GENERAL TOLERANCES		SCALE:	NAME	DATE	PART NO:	DWG. NO:	 万连科技 Wanlian Technology Co., Ltd	REV: A0	SHEET: 1/1
A0	NEW RELEASE	21.11.17	LINEAR	ANGLES	1:1	Wang_jr	21.11.17	WLLF2M2-AB203GA01	ENDE05			
			0.0±0.35	X°REF±6°	APPROVED	Han_Gao	21.11.17	TITLE:				
			UNIT:mm	X'±3°	DESIGNER	Zijun_Huang	21.11.17	尼龙全绝缘护套公插端子				
			SIZE: A4	X°X' ±2°	DRAWN							
1	2	3	4	5	6	7	8					