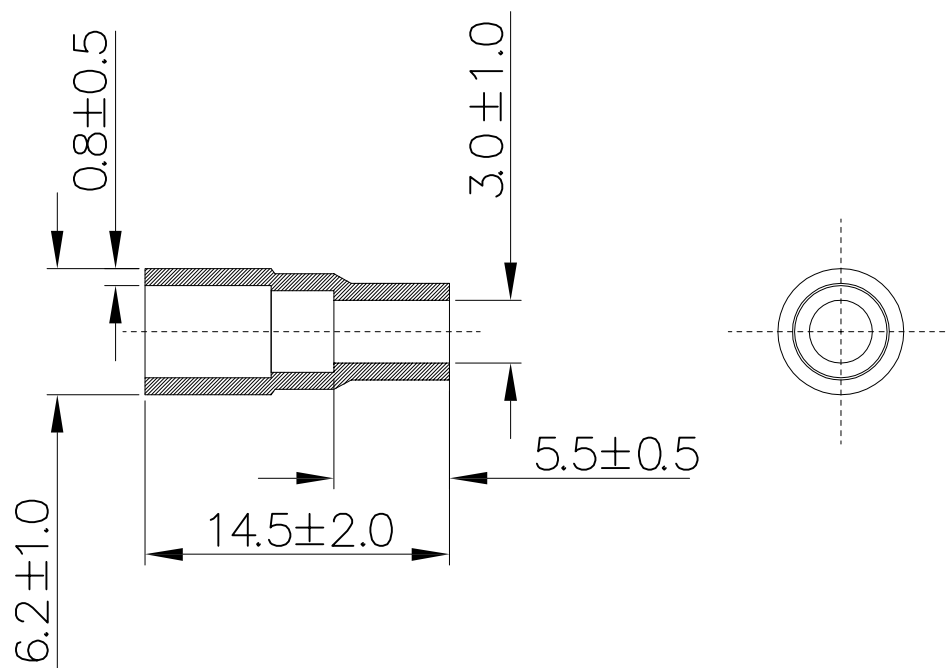


The product using material and processing must conform to the "WL-PZ-001" HSF technical standard control requirements

RoHS



温度范围: <70° C
 包装规格: 5000PCS/包

REV.	REVISION RECORD	DATE		GENERAL TOLERANCES		SCALE: 1:1	NAME	DATE	PART.NO:	DWG.NO:	
A0	NEW RELEASE	22.05.09		LINEAR	ANGLES	APPROVED	Wang_jr	22.05.09	WLLMZP-300UB94	ENDE05	
			UNIT:mm	0.00±0.25	X'±3'	DESIGNER	Han_Gao	22.05.09	TITLE:		WanLian Teconology Co., Ltd REV: A0 SHEET: 1/1
			SIZE: A4	0.000±0.10	X'X' ±2'	DRAWN	LanXuan_Hou	22.05.09	液态PVC子弹型端子母护套 孔径D=3.0mm 透明白		