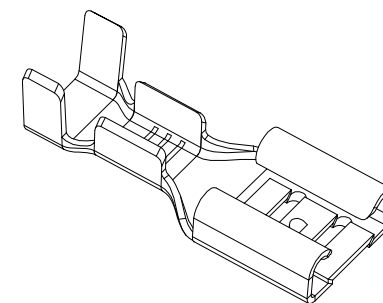
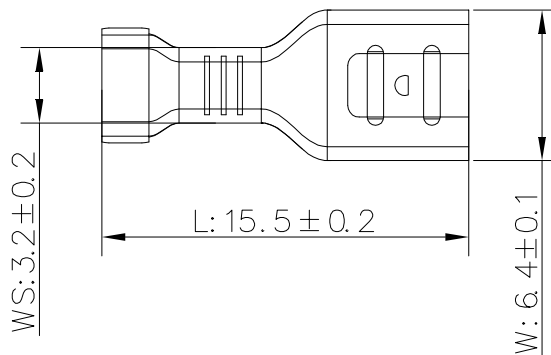
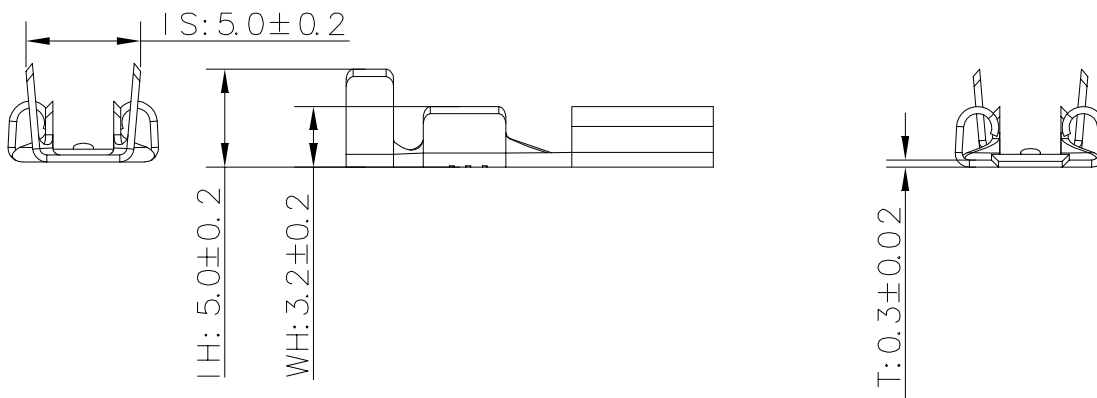
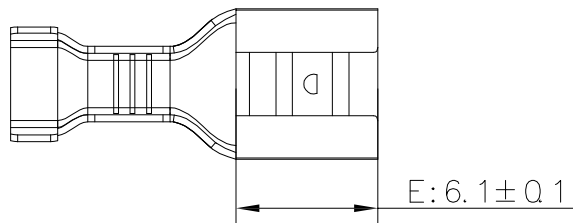


The product using material and processing must conform to the "WL-PZ-001"HSF technical standard control requirements

RoHS



3D VIEW

备注:

1. 接线: 16-20AWG
2. 端子材质: 黄铜, 表面处理: 镀锡
3. 对插端子: 205公端/T=0.8
4. 拔力范围:  $\geq 4.0\text{kg}$ , 插力范围:  $\leq 3.5\text{kg}$

REV.	REVISION RECORD	DATE		GENERAL TOLERANCES		SCALE:	NAME	DATE	PART.NO:	DWG.NO:	 WanLian Teconology Co., Ltd		
AO	NEW RELEASE	22.05.09		LINEAR	ANGLES	1:1	APPROVED	Wang_jr				22.05.09	ENDE05
			UNIT:mm	0.00±0.25	X'±3'	DESIGNER	Han_Gao	22.05.09	TITLE: 无绝缘205系列直型母插片连续端子 公片厚度0.8mm			REV: A0	SHEET: 1/1
			SIZE: A4	0.000±0.10	X'X' ±2'	DRAWN	LanXuan_Hou	22.05.09					