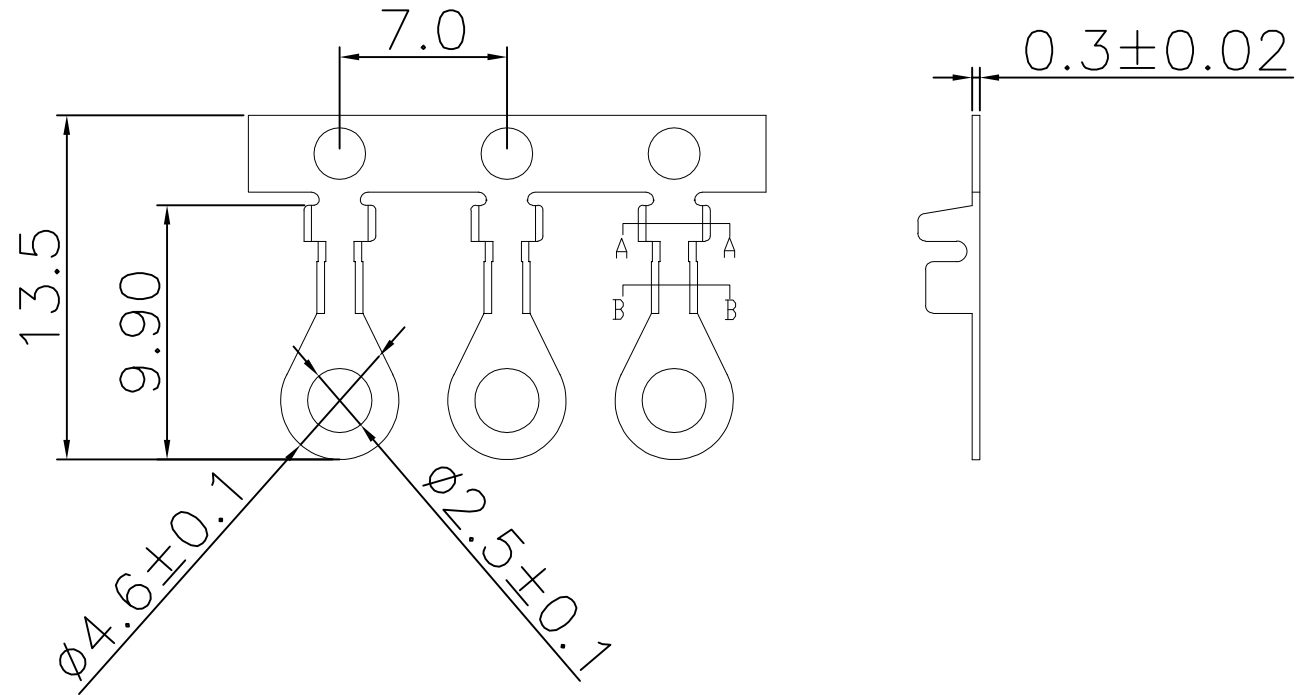
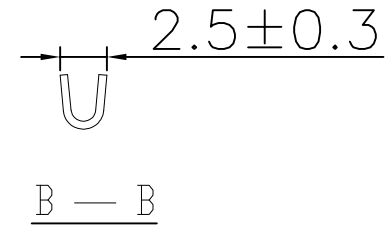
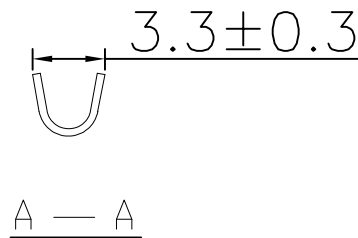


The product using material and processing must conform to the "WL-PZ-001"HSF technical standard control requirements

RoHS



- 备注:
1. 接压线径: 18-22AWG
 2. 端子材质: 黄铜, 厚度: 0.30
截面积: 0.3-0.13
 3. 表面处理: 镀锡



REV.	REVISION RECORD	DATE		GENERAL TOLERANCES		SCALE: 1:1	NAME	DATE	PART.NO:	DWG.NO:	 WanLian Teconology Co., Ltd
A0	NEW RELEASE	22.05.09		LINEAR	ANGLES	APPROVED	Wang_jr	22.05.09	WLLR20-025AA030B70	ENDE05	
			UNIT:mm	0.00±0.25	X'±3'	DESIGNER	Han_Gao	22.05.09	TITLE:		REV: A0 SHEET: 1/1
			SIZE: A4	0.000±0.10	X'X' ±2'	DRAWN	LanXuan_Hou	22.05.09	2.5横式螺栓端子		