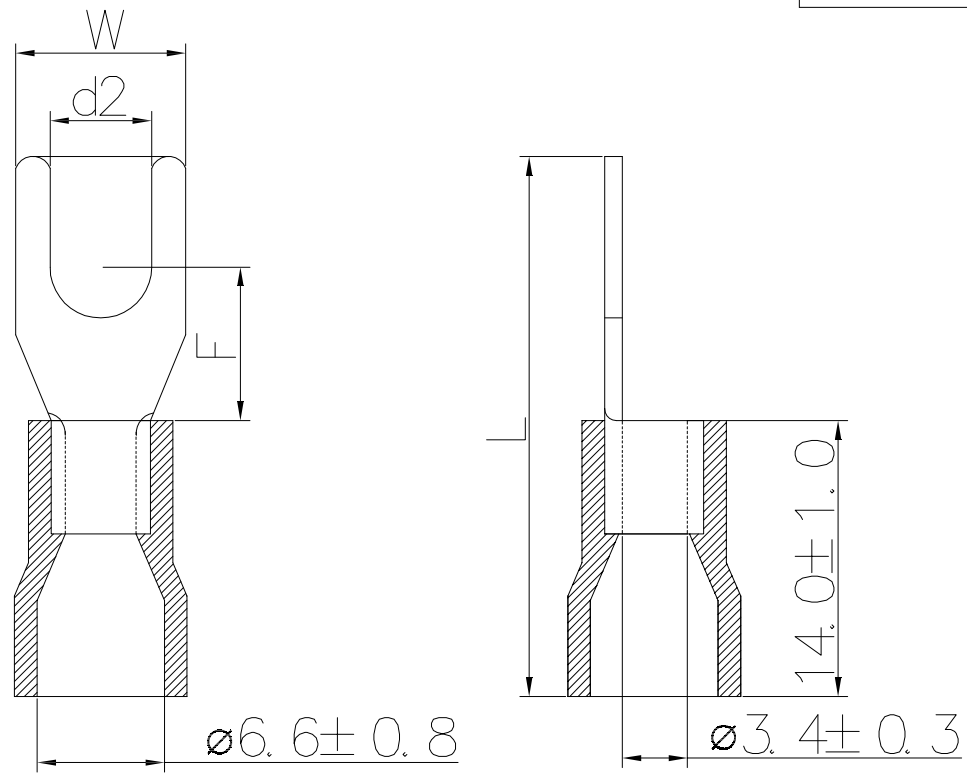


The product using material and processing must conform to the "WL-PZ-001" HSF technical standard control requirements

RoHS

ItemNO. 料号	螺栓规格	mm/inch主要尺寸			
	Stud Size	d2	W	F	L
WLLS24-037AD03EA01	# 6	3.7±0.15	7.2±0.15	7.5±1.0	24.8±1.0
WLLS24-043AD03EA01	# 8	4.3±0.15	8.3±0.15	7.5±1.0	26.5±1.0
WLLS24-043AD03EA02	# 8	4.3±0.15	9.0±0.15	7.5±1.0	26.5±1.0
WLLS24-053AD03EA01	#10	5.3±0.15	9.0±0.15	7.5±1.0	26.5±1.0
WLLS24-064AD03EA01	1/4	6.4±0.2	9.0±0.15	7.5±1.0	26.5±1.0
WLLS24-064AD03EA02	1/4	6.4±0.2	12.0±0.15	12.0±1.0	32.0±1.0
WLLS24-084AD03EA01	5/16	8.4±0.2	14.0±0.15	11.5±1.0	30.7±1.0



备注:

1. 端子材质: 紫铜 厚度: 1.0±0.03
2. 绝缘材质: 尼龙 绝缘护套温度: 105°C
绝缘护套颜色: 黄色
3. 表面处理: 镀锡 镀层厚度: 2.5um-5um
镀层温度: 120° /2小时
4. 接线类型: 绞合线
5. 最大电流: 48A

REV.	REVISION RECORD	DATE		GENERAL TOLERANCES		SCALE: 1:1	NAME	DATE	PART.NO:	DWG.NO:	
AO	NEW RELEASE	21.11.17		LINEAR 0.0±0.35 UNIT:mm SIZE: A4	ANGLES X'REF±6° X'±3° X'X'±2°	APPROVED	Wang_jr	21.11.17	WLLS24-XXXAD03XAXX	ENDE05	
					DESIGNER	Han_Gao	21.11.17	TITLE:	PVC绝缘护套叉形端子		
					DRAWN	Zijun_Huang	21.11.17				