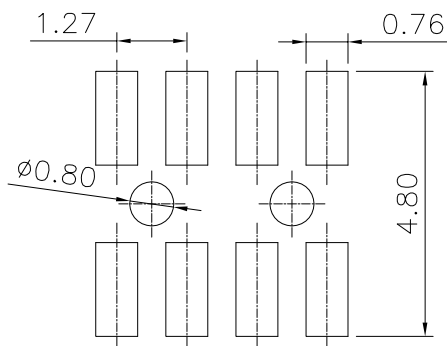
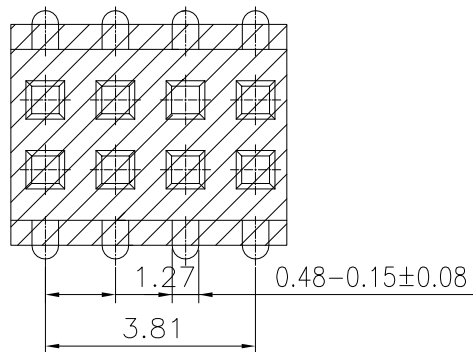


The product using material and processing must conform to the "WI-PZ-001"HSF technical standard control requirements

RoHS+HF



RECOMMENDED P.C.B LAYOUT  
P.C.B TOLERANCE:±0.05

NOTE:

- 1.MATERIAL SPECIFICATION:
  - 1-1.HOUSING: UL94V-0
  - 1-2.CONTACTS: BRASS
- 2.PLATING SPECIFICATION:
  - 2-1.CONTACTS: TIN/GOLD FLASH PLATED OVER ALL.
- 3.MECHANICAL PERFORMANCE:
  - 3-1.RETENTIVITY FORCE: 0.2KGF/pin min
  - 3-2.DURABILITY: 100 CYCLES.
- 4.ELECTRICAL PERFORMANCE:
  - 4-1.CURRENT RATING: 1A AC/DC
  - 4-2.CONTACT RESISTANCE: 20 mΩ MAX
  - 4-3.INSULATION RESISTANCE: 1000MΩ Min
  - 4-4.DIELECTRIC WITHSTANDING : 300V
- 5.ENVIRONMENTAL PERFORMANCE:
  - 5-1.OPERATING TEMPERATURE: -40°C~+105°C.
- 6.PACKAGE SPEC: REEL
- 7.P/N:

FH1276 21 F 0-2 XX 2 X X X 02

SERIES NO: \_\_\_\_\_ HOUSING: 1-PA6T

HEIGHT: \_\_\_\_\_ 21: 2.1mm

MALE FEMALE: \_\_\_\_\_ COLOR: A-BLACK

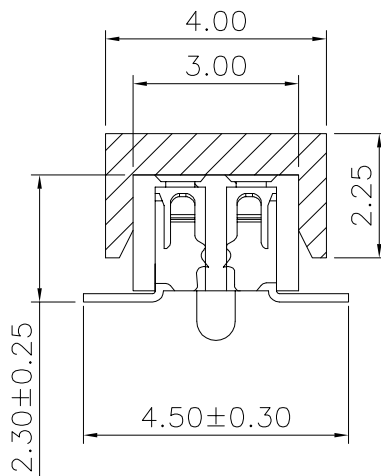
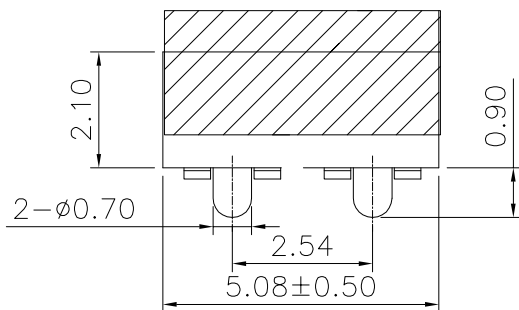
ANGLE: \_\_\_\_\_ 0-180°


ROW NO: \_\_\_\_\_ PLATING: A-ALL AU G/F

2-DOUBLE ROW

PIN Q' PY: \_\_\_\_\_ TERMIPOINT: 2-SMT

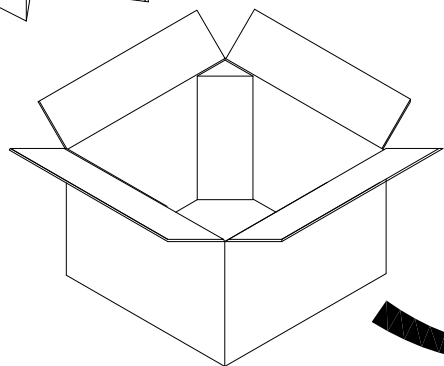
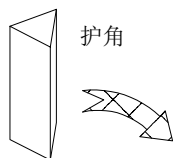
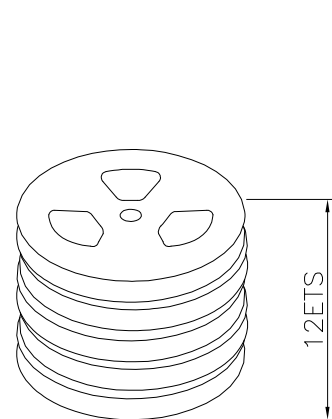
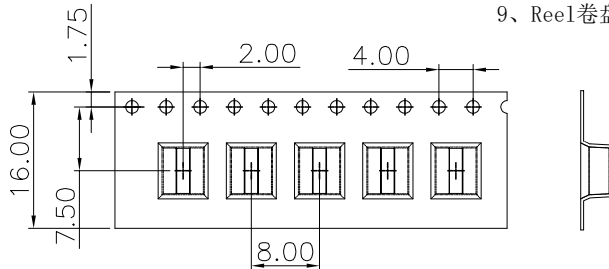
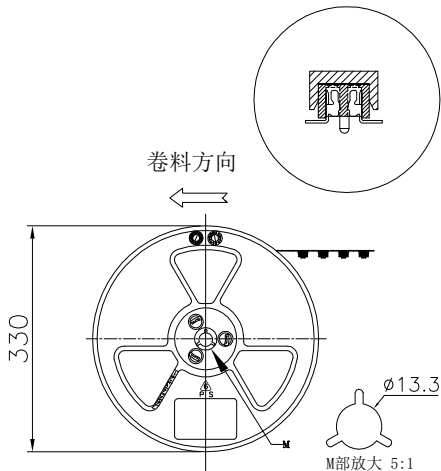
08 PIN



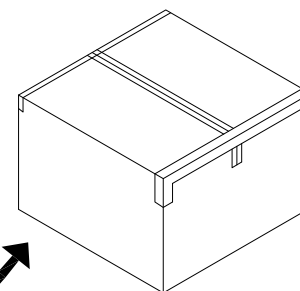
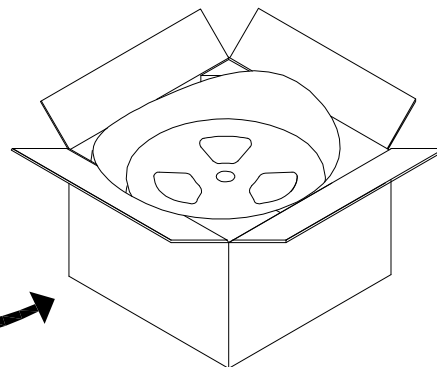
REV.	REVISION RECORD	DATE	UNIT:mm	GENERAL TOLERANCES		SCALE:	NAME	DATE	PART.NO:	DWG.NO:	 WanLian Technology Co., Ltd	
AO	NEW RELEASE	22.05.09		LINEAR	ANGLES	1:1	APPROVED	22.05.09	FH127621F0-2XX2XXX02	ENDE05		
			0.00±0.25	X'±3'	DESIGNER	Han_Gao	22.05.09	TITLE: 1.27双排排母H2.1 带柱SMT+CAP 2X4P			REV: A0	SHEET: 1/2
			0.00±0.10	X'X' ±2'	DRAWN	LanXuan_Hou	22.05.09					

The product using material and processing must conform to the "WI-PZ-001" HSF technical standard control requirements

RoHS+HF



载带引出方向



Carton B surface

纸箱规格: K=K 338\*338\*260mm

NOTE:

- 1、成品组装完并OQ检查完后, 将其装入承载带内、同时用封装胶带冷封
- 2、检查REEL板状卷带是否松动, 如有松动需要重新贴紧
- 3、全检OK后、将REEL装盘入PE袋并放入一包干燥剂
- 4、每个REEL上必须贴上料号以及数量
- 5、产品放入REEL时前后各空32PCS不放产品
- 6、每盘装产品2000PCS, 每箱装12盘, 每一外箱装产品2000\*12=24000PCS
- 7、保护带: 材质为PET; 透明色;
- 8、上带: 材质为PET; 透明色; 冷风自粘带
- 9、Reel卷盘: PS材质; 蓝色

REV.	REVISION RECORD	DATE		GENERAL TOLERANCES		SCALE: 1:1	NAME	DATE	PART.NO: FH127621F0-2XX2XXX02	DWG.NO: ENDE05	 WanLian Technology Co., Ltd
AO	NEW RELEASE	22.05.09		LINEAR	ANGLES	APPROVED	Wang_jr	22.05.09			
			0.0±0.35	X'REF±6°	DESIGNER	Han_Gao	22.05.09				
			UNIT:mm	0.00±0.25	X'±3'	DRAWN	LanXuan_Hou	22.05.09	TITLE: 1. 27双排排母H2.1 带柱SMT+CAP 2X4P		
			SIZE: A4	0.000±0.10	X'X' ±2'						

REV: A0 SHEET: 2/2