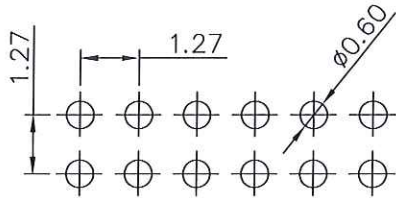
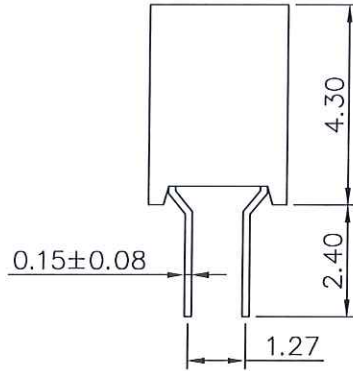
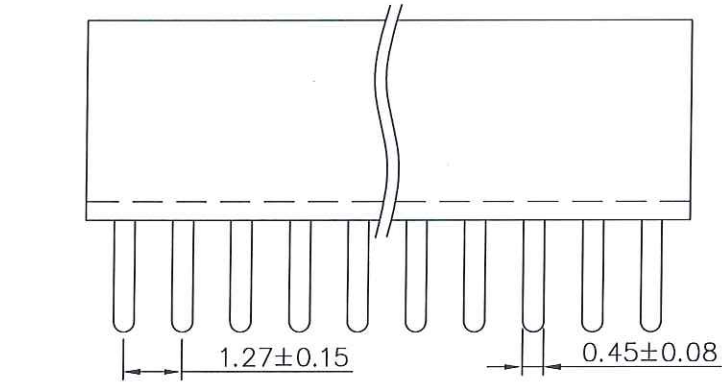
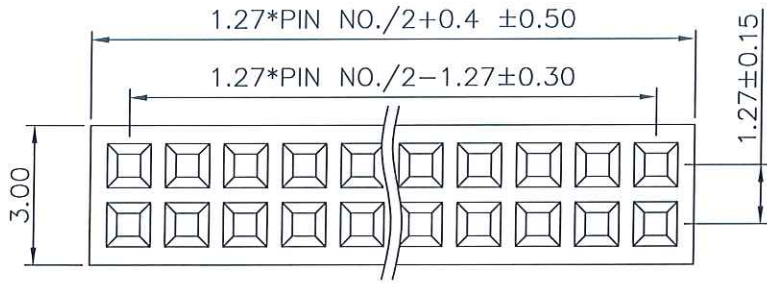


The product using material and processing must conform to the "WI-PZ-001"HSF technical standard control requirements



RECOMMEND P. C. B LAYOUT
PCB TOLERANCE: ±0.05 (TOP VIEW)

- NOTE:
- MATERIAL SPECIFICATION:
 - HOUSING: UL94V-0
 - CONTACTS: PHOSPHOR BRONZE Δ 1
 - PLATING SPECIFICATION:
 - CONTACTS: GOLD FLASH OVER NICKEL
 - ELECTRICAL PERFORMANCE:
 - CURRENT RATING: 1A
 - CONTACT RESISTANCE: 20 mΩ MAX
 - INSULATION RESISTANCE: 1000MΩ Min
 - DIELECTRIC WITHSTANDING : 300V
 - ENVIRONMENTAL PERFORMANCE:
 - OPERATING TEMPERATURE: -40°C~+105°C.
 - PACKAGE SPEC: TUBE
 - P/N:

FH1276 43 F 0-2 XX 1 X X X 04

SERIES NO: _____

HEIGHT: _____

43: 4.3mm

MALE FEMALE: _____

F-FEMALE

ANGLE: _____

0-180°

ROW NO: _____

2-DOUBLE ROW

PIN Q'PY: _____

04~80

HOUSING: 1-PA6T

COLOR: A-BLACK

PLATING: A-ALL AU G/F

TERMIPOINT: 1-DIP



REV.	REVISION RECORD	DATE	GENERAL TOLERANCES		SCALE:	NAME	DATE	PART.NO:	DWG.NO:	 WanLian Technology Co., Ltd
A0	NEW RELEASE	21.10.15	LINEAR	ANGLES	1:1			FH127643F0-2XX1XXX04	ENDE05	
A1	UPDATE TERMINAL MATERIAL	25.01.06	0.0±0.35	X'REF±6°	APPROVED	25.1.7				
			0.00±0.25	X'±3'	DESIGNER	25.01.07				
			UNIT:mm	X'X' ±2'	DRAWN	25.01.07	TITLE: Pitch 1.27mm 180° 双排 DIP 排 母H4.3 W3.0 PC2.4			REV: A1 SHEET: 1/1
			SIZE: A4	0.000±0.10						