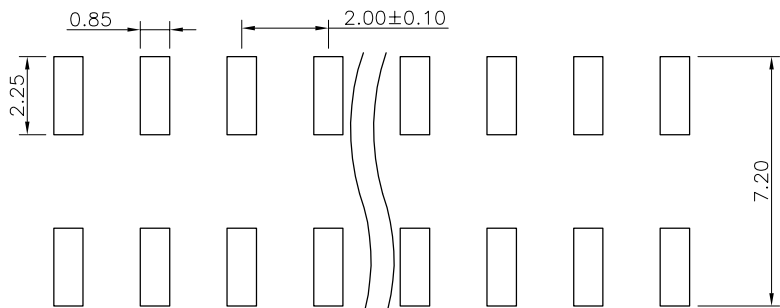
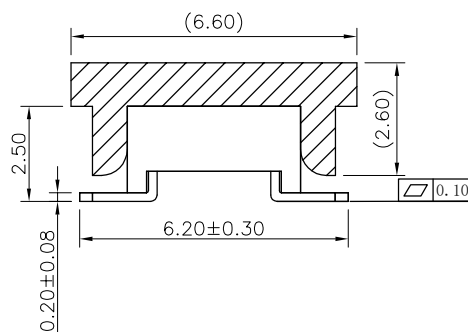
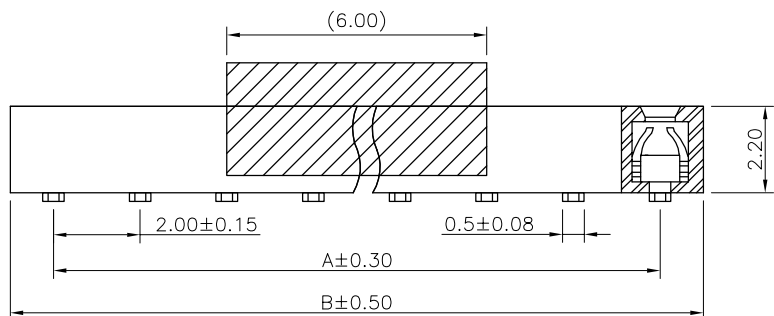
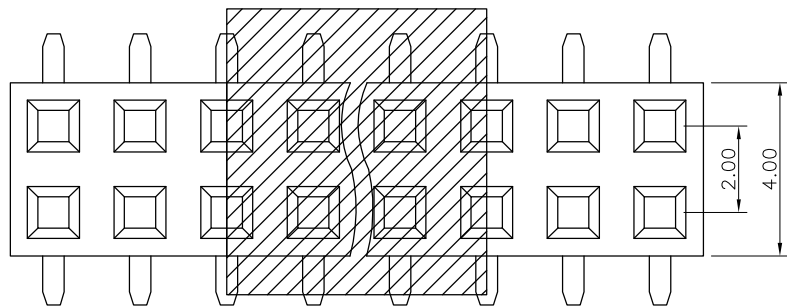


The product using material and processing must conform to the "WI-PZ-001"HSF technical standard control requirements



RECOMMENDED PCB LAYOUT  
(GENERAL TOLERANCE:±0.05)



NOTE:  
 1.MATERIAL SPECIFICATION:  
 1-1.HOUSING: THERMOPLASTIC HIGH TEMP,UL94V-0  
 1-2.CONTACTS: BRASS  
 2.PLATING SPECIFICATION:  
 2-1.CONTACTS:  
 TIN/GOLD FLASH PLATED OVER ALL.  
 3.ELECTRICAL PERFORMANCE:  
 3-1.CURRENT RATING: 2A AC/DC  
 3-2.CONTACT RESISTANCE: 30 mΩ MAX  
 3-3.INSULATION RESISTANCE: 1000MΩ Min  
 3-4.DIELECTRIC WITHSTANDING : 300V  
 4.ENVIRONMENTAL PERFORMANCE:  
 4-1.OPERATING TEMPERATURE: -40°C~+105°C.  
 5.PACKAGE SPEC: REEL  
 6.P/N:  
 FH2005 22 F 0-2 XX 2 X X X 01  
 SERIES NO: \_\_\_\_\_ HOUSING:  
 1-PA9T  
 2-PA9T+HF  
 HEIGHT: \_\_\_\_\_ COLOR:  
 22: 2.2mm A-BLACK  
 MALE FEMALE: \_\_\_\_\_ PLATING:  
 F-FEMALE A-ALL AU G/F  
 ANGLE: \_\_\_\_\_  
 0-180°  
 ROW NO: \_\_\_\_\_  
 2-DOUBLE ROW  
 PIN Q' PY: \_\_\_\_\_ TERMIPOINT:  
 04~80 2-SMT

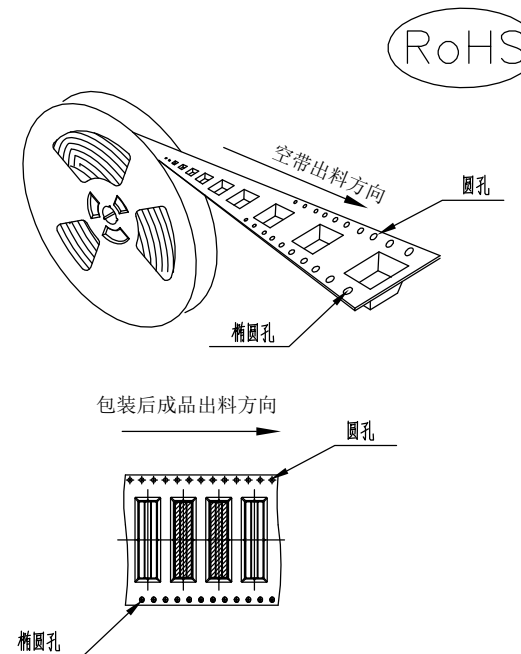
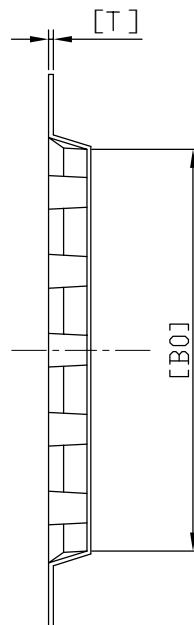
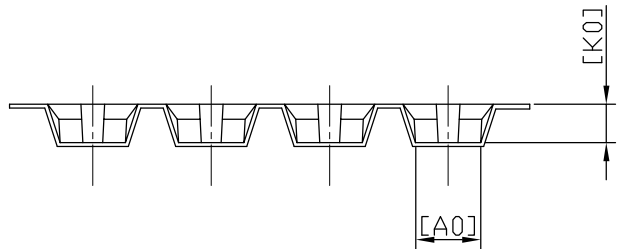
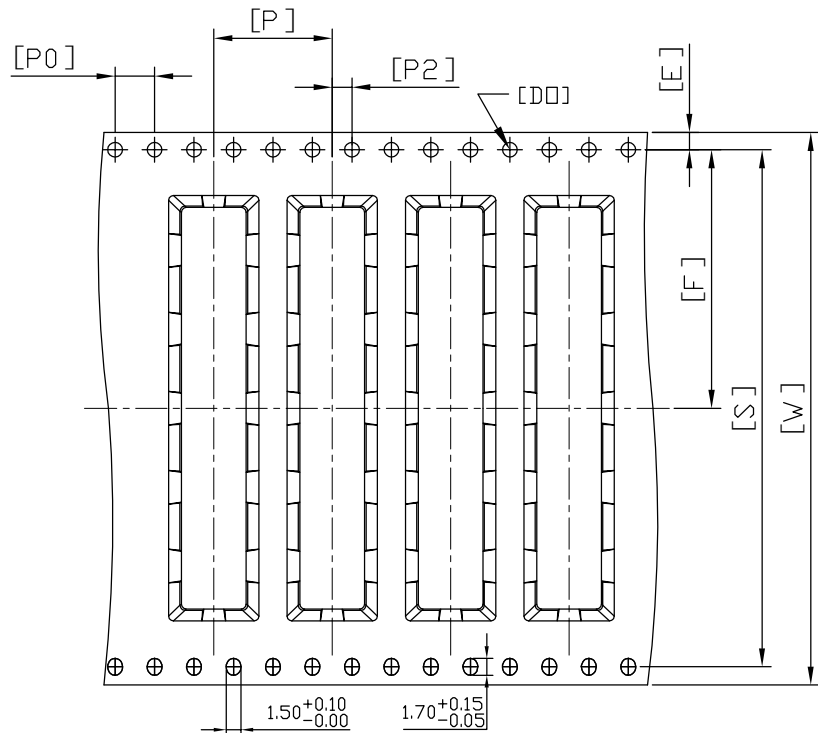
| PIN NO. | DIMENSION |      | PIN NO. | DIMENSION |      |
|---------|-----------|------|---------|-----------|------|
|         | A         | B    |         | A         | B    |
| 2*2     | 2.0       | 4.2  | 2*7     | 12.0      | 14.2 |
| 2*3     | 4.0       | 6.2  | 2*8     | 14.0      | 16.2 |
| 2*4     | 6.0       | 8.2  | ⋮       | ⋮         | ⋮    |
| 2*5     | 8.0       | 10.2 | ⋮       | ⋮         | ⋮    |
| 2*6     | 10.0      | 12.2 | 2*40    | 78.0      | 80.2 |

| REV. | REVISION RECORD | DATE     | UNIT:mm   | GENERAL TOLERANCES |          | SCALE:  | NAME        | DATE     | PART.NO:   | DWG.NO: | REV: A0 | SHEET: 1/2 |
|------|-----------------|----------|-----------|--------------------|----------|---------|-------------|----------|--|---------|---------|------------|
| AO   | NEW RELEASE     | 22.05.09 |           | LINEAR             | ANGLES   | 1:1     | Wang_jr     | 22.05.09 | FH200522F0-2XX2XXX01                                       | ENDE05  |         |            |
|      |                 |          | 0.00±0.25 | X'±3°              |          | Han_Gao | 22.05.09    |          |  |         |         |            |
|      |                 |          | SIZE: A4  | 0.000±0.10         | X'X' ±2° |         | LanXuan_Hou | 22.05.09 | TITLE:<br>Pitch 2.00mm 180° 双排 SMT+CAP 型排母H2.0 W4.0 PC 6.5 |         |         |            |



WanLian Technology Co., Ltd

The product using material and processing must conform to the "WI-PZ-001"HSF technical standard control requirements



Notes:

- 1.Packing Conforms EIA-481-B Standards.
- 2.10 sprocket hole pitch cumulative
- 3.Carrier camber is within 1mm in250mm.
- 4.Marerial:BLACK Polystyrene.
- 5.Packing length per 13"Reel:15.4Meters.
- 6.Component load per 13"Reel:1200+32PCS.

|   |   |   |            |    |  |    |            |    |
|---|---|---|------------|----|--|----|------------|----|
| W | 56.00 <sup>+0.30</sup> / <sub>-0.30</sub> | T | 0.40±0.05  | Po | 4.00±0.10                              | Ao | 6.60±0.10  | A1 |
| S | 52.40±0.10                                | F | 26.20±0.15 | P2 | 2.00±0.15                              | Bo | 40.70±0.10 | B1 |
| E | 1.75±0.10                                 | P | 12.00±0.10 | Do | ∅1.50 ± <sup>0.10</sup> / <sub>0</sub> | Ko | 3.90±0.10  | K1 |

|      |                 |          |          |                    |          |            |             |                |                                  |                   |                                 |
|------|-----------------|----------|----------|--------------------|----------|------------|-------------|----------------|----------------------------------|-------------------|---------------------------------|
| REV. | REVISION RECORD | DATE     |          | GENERAL TOLERANCES |          | SCALE: 1:1 | NAME        | DATE           | PART.NO:<br>FH200522F0-2XX2XXX01 | DWG.NO:<br>ENDE05 | <br>WanLian Technology Co., Ltd |
| AO   | NEW RELEASE     | 22.05.09 |          | LINEAR             | ANGLES   | APPROVED   | Wang_jr     | 22.05.09       |                                  |                   |                                 |
|      |                 |          | 0.0±0.35 | X'REF±6°           | DESIGNER | Han_Gao    | 22.05.09    | TITLE:<br>包装规范 |                                  |                   |                                 |
|      |                 |          | UNIT:mm  | 0.00±0.25          | X'±3°    | DRAWN      | LanXuan_Hou |                | 22.05.09                         |                   |                                 |
|      |                 |          | SIZE: A4 | 0.000±0.10         | X'X' ±2° |            |             |                | REV: A0                          | SHEET: 2/2        |                                 |