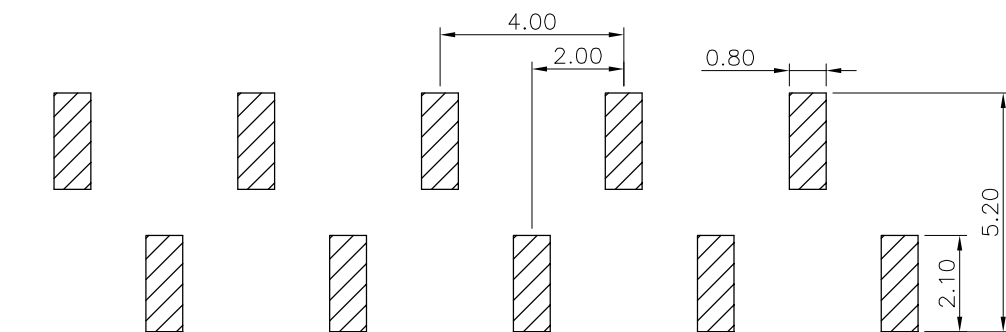
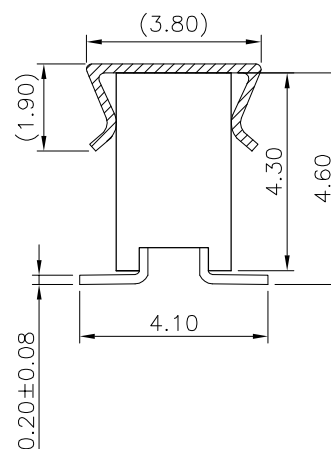
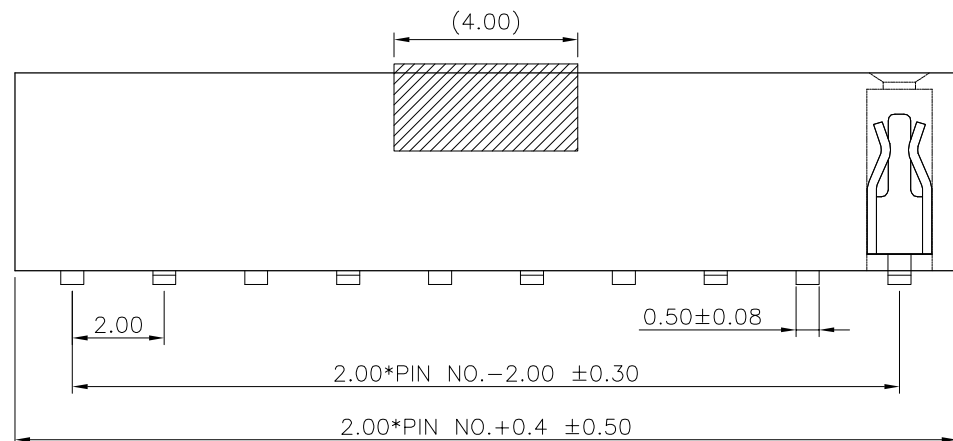
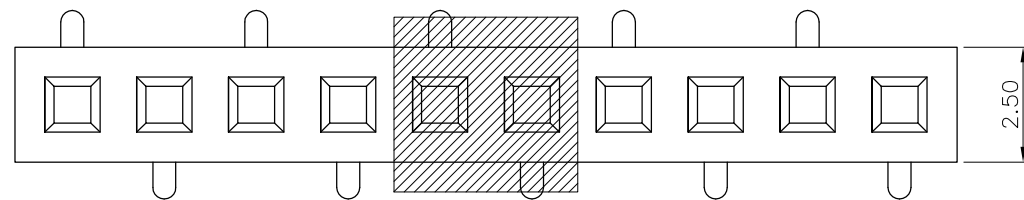


The product using material and processing must conform to the "WI-PZ-001" HSF technical standard control requirements

RoHS

NOTE:
 1.MATERIAL SPECIFICATION:
 1-1.HOUSING: PA6T,UL94V-0
 1-2.CONTACTS: BRASS
 2.PLATING SPECIFICATION:
 2-1.CONTACTS:
 GOLD FLASH/TIN OVER NICKEL
 3.ELECTRICAL PERFORMANCE:
 3-1.CURRENT RATING: 2A
 RATED VOLTAGE : 500V AC/DC
 3-2.CONTACT RESISTANCE: 30 mΩ MAX
 3-3.INSULATION RESISTANCE: 1000MΩ Min
 3-4.DIELECTRIC WITHSTANDING : 300V
 4.ENVIRONMENTAL PERFORMANCE:
 4-1.OPERATING TEMPERATURE: -40°C~+105°C.
 5.PACKAGE SPEC: REEL
 6.P/N:

SERIES NO: FH2005 43 F 0-1 XX 2 X X X 01
 HEIGHT: 4.3mm
 MALE FEMALE: F-FEMALE
 ANGLE: 0-180°
 ROW NO: 1-SINGLE ROW
 PIN Q'PY: 02~40
 HOUSING: 1-PA6T
 COLOR: A-BLACK
 PLATING: A-ALL AU G/F
 TERMIPOINT: 2-SMT



RECOMMENDED P. C. B LAYOUT

P. C. B TOLERANCE: ±0.05

REV.	REVISION RECORD	DATE	UNIT:mm	GENERAL TOLERANCES		SCALE:	NAME	DATE	PART.NO:	DWG.NO:	TITLE:	REV: A1	SHEET: 1/2
AO	NEW RELEASE	21.10.15		LINEAR	ANGLES	1:1							
A1	依实物变更包装数量	23.09.18	0.00±0.25	X'±3'	APPROVED	Wang_jr	23.09.18	FH200543F0-1XX2XXX01	ENDE05	Pitch 2.0mm 180° 单排 SMT U型排母 SMT+CAP PC4.1			
			0.00±0.10	X'X' ±2'	DESIGNER	Gao_Han	23.09.18						
			SIZE: A4		DRAWN	Gao_Han	23.09.18						

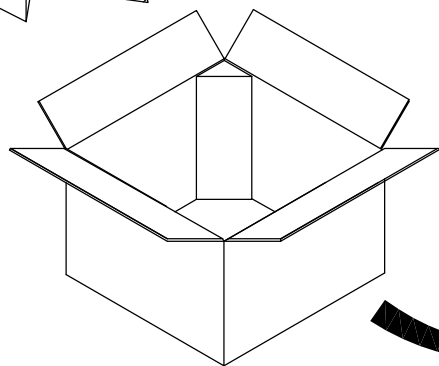
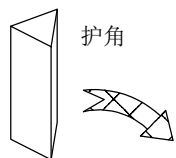
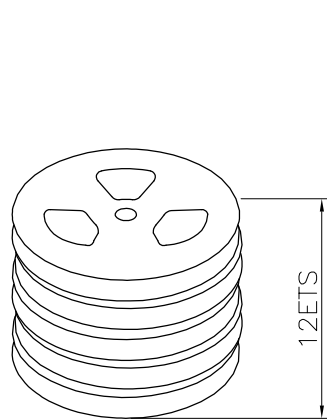
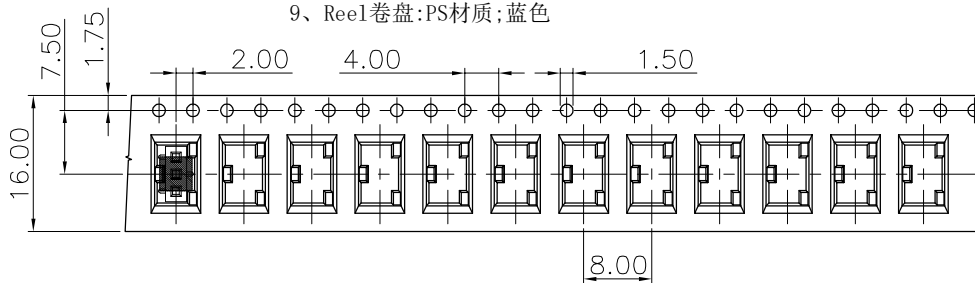
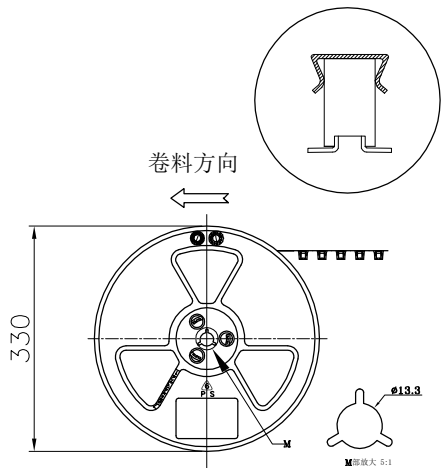


The product using material and processing must conform to the "WI-PZ-001" HSF technical standard control requirements

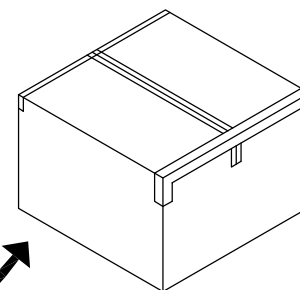
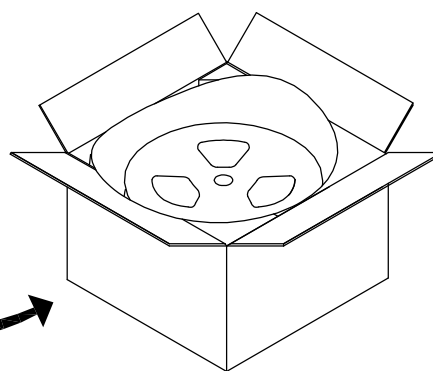
RoHS

NOTE:

- 1、成品组装完并OQ检查完后、将其装入承载带内、同时用封装胶带冷封
- 2、检查REEL板状卷带是否松动，如有松动需要重新贴紧
- 3、全检OK后、将REEL装盘入PE袋并放入一包干燥剂
- 4、每个REEL上必须贴上料号以及数量
- 5、产品放入REEL时前后各空24PCS不放产品
- 6、每盘装产品1500PCS，每箱装12盘，每一外箱装产品1500*12=18000PCS
- 7、保护带:材质为PET;透明色;
- 8、上带:材质为PET;透明色;冷风自粘带
- 9、Reel卷盘:PS材质;蓝色



载带引出方向



Carton B surface
纸箱规格: K=K 338*338*260mm

REV.	REVISION RECORD	DATE		GENERAL TOLERANCES		SCALE: 1:1	NAME	DATE	PART.NO: FH200543F0-1XX2XXX01	DWG.NO: ENDE05	 WanLian Technology Co., Ltd
A0	NEW RELEASE	21.10.15		LINEAR	ANGLES	APPROVED	Wang_jr	23.09.18			
A1	依实物变更包装数量	23.09.18	UNIT:mm	0.00±0.25	X'±3'	DESIGNER	Gao_Han	23.09.18	TITLE: Pitch 2.0mm 180° 单排 SMT U型排母 SMT+CAP PC4.1	REV: A1	SHEET: 2/2
			SIZE: A4	0.000±0.10	X'X' ±2'	DRAWN	Gao_Han	23.09.18			