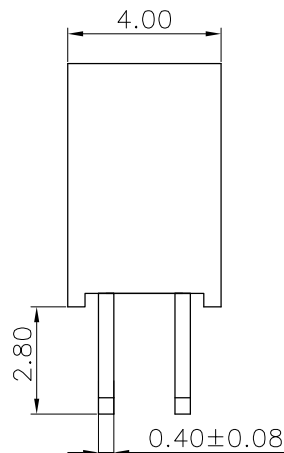
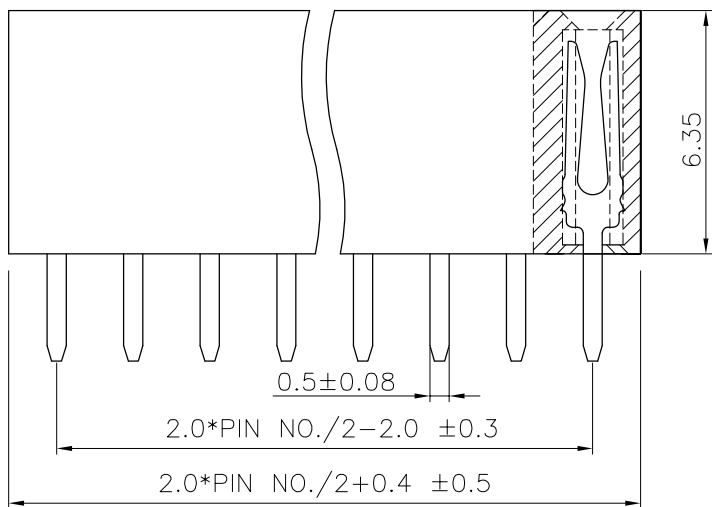
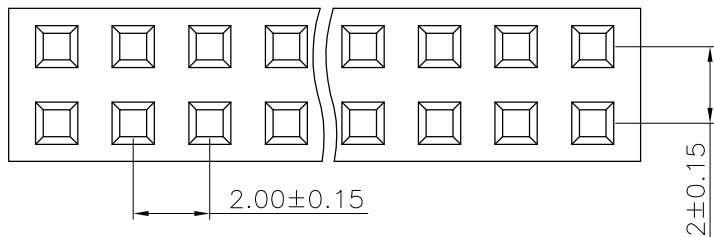


The product using material and processing must conform to the "WI-PZ-001" HSF technical standard control requirements

RoHS



NOTE:

- 1.MATERIAL SPECIFICATION:
 - 1-1.HOUSING: THERMOPLASTIC HIGH TEMP,UL94V-0
 - 1-2.CONTACTS: BRASS
- 2.PLATING SPECIFICATION:
 - 2-1.CONTACTS: TIN/GOLD FLASH PLATED OVER ALL.
- 3.ELECTRICAL PERFORMANCE:
 - 3-1.CURRENT RATING: 2A AC/DC
 - 3-2.CONTACT RESISTANCE: 30 mΩ MAX
 - 3-3.INSULATION RESISTANCE: 1000MΩ Min
 - 3-4.DIELECTRIC WITHSTANDING : 300V
- 4.ENVIRONMENTAL PERFORMANCE:
 - 4-1.OPERATING TEMPERATURE: -40°C~+105°C.
- 5.PACKAGE SPEC: TRAY
- 6.P/N:

FH2005 64 F 0-2 XX 1 X X X 01

SERIES NO: _____ HOUSING:
 1-PA9T
 2-PA9T+HF

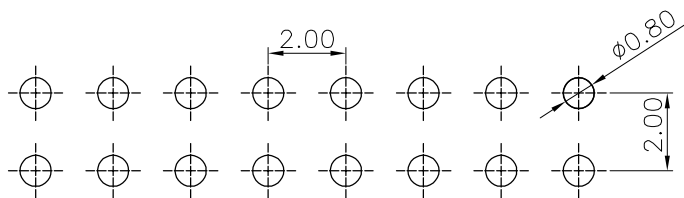
HEIGHT: _____ COLOR:
 64: 6.35mm A-BLACK

MALE FEMALE: _____ PLATING:
 F-FEMALE A-ALL AU G/F

ANGLE: _____ PIN Q'PY: _____
 0-180° 04~64 1-DIP

ROW NO: _____
 2-DOUBLE ROW

TERMPOINT:
 1-DIP



Recommended PCB Layout
 TOLERANCE: ±0.05

REV.	REVISION RECORD	DATE	UNIT:mm	GENERAL TOLERANCES		SCALE:	NAME	DATE	PART.NO:	DWG.NO:	 WanLian Technology Co., Ltd
AO	NEW RELEASE	22.05.09		LINEAR	ANGLES	1:1	APPROVED	Wang_jr	22.05.09	FH200564F0-2XX1XXX01	
			0.00±0.25	X'±3°		DESIGNER	Han_Gao	22.05.09	TITLE: Pitch 2.0mm 180° 双排 DIP 型排母 H6.35W4.0 PC2.8		REV: A0
			0.00±0.10	X'X' ±2°		DRAWN	LanXuan_Hou	22.05.09			SHEET: 1/1