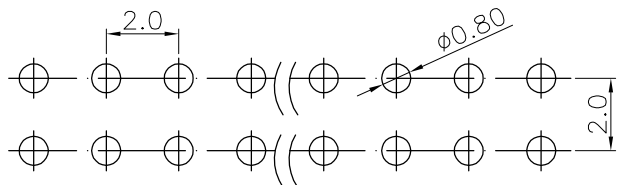
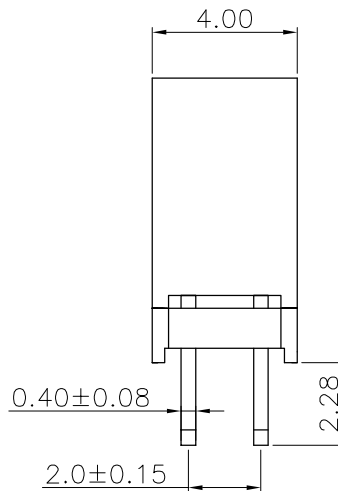
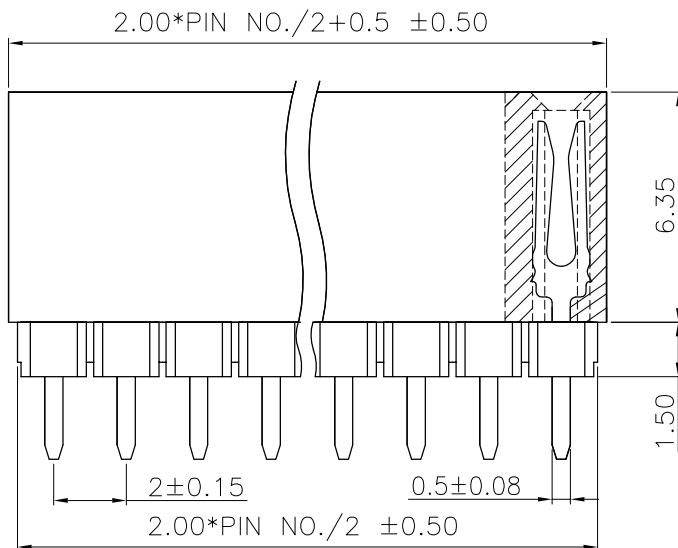
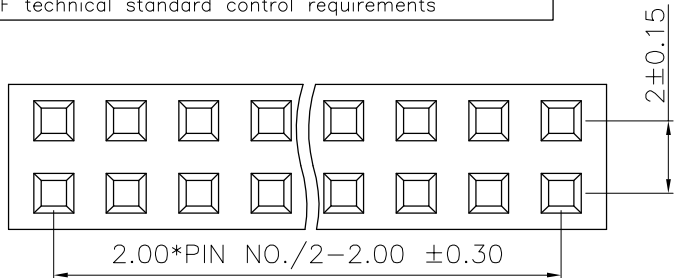


The product using material and processing must conform to the "WI-PZ-001" HSF technical standard control requirements



RECOMMENDED P.C.B LAYOUT
P.C.B TOLERANCE: ±0.05

NOTE:
1.MATERIAL SPECIFICATION:
1-1.HOUSING: THERMOPLASTIC HIGH TEMP,UL94V-0
1-2.CONTACTS: BRASS
2.PLATING SPECIFICATION:
2-1.CONTACTS:
GOLD FLASH OVER NICKEL
3.ELECTRICAL PERFORMANCE:
3-1.CURRENT RATING: 2A
3-2.CONTACT RESISTANCE: 30 mΩ MAX
3-3.INSULATION RESISTANCE: 1000MΩ Min
3-4.DIELECTRIC WITHSTANDING : 300V
4.ENVIRONMENTAL PERFORMANCE:
4-1.OPERATING TEMPERATURE: -40°C~+105°C.
5.PACKAGE SPEC: TRAY
6.P/N:

FH2005 64 F 0-2 XX 1 X X X 04
SERIES NO: _____ HOUSING: 1-PA9T
HEIGHT: _____ 64: 6.35mm
MALE FEMALE: _____ COLOR: A-BLACK
F-FEMALE
ANGLE: _____ PLATING: A-ALL AU G/F
0-180°
ROW NO: _____ 2-DOUBLE ROW
PIN Q'PY: _____ TERMIPOINT: 1-DIP
04~80

REV.	REVISION RECORD	DATE	UNIT:mm	GENERAL TOLERANCES		SCALE: 1:1	NAME	DATE	PART.NO:	DWG.NO:		
AO	NEW RELEASE	21.10.15		SIZE: A4	LINEAR 0.00±0.25	ANGLES X°±3°	APPROVED	Wang_jr	21.10.15	FH200564F0-2XX1XXX04		ENDE05
				0.00±0.10	X°X' ±2°	DESIGNER	Gao_Han	21.10.15	TITLE: Pitch 2.00mm 180° 双排排母 DIP Y型 H6.35+H1.5排针塑胶		REV: A0	SHEET: 1/1
						DRAWN	Gao_Han	21.10.15				