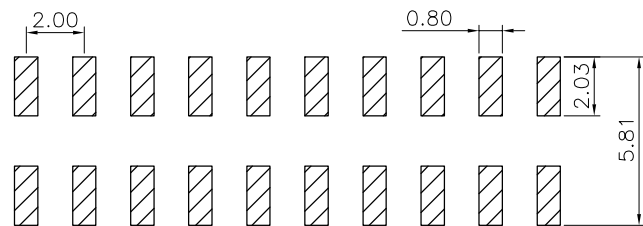
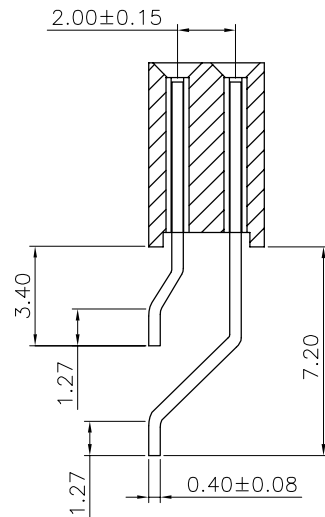
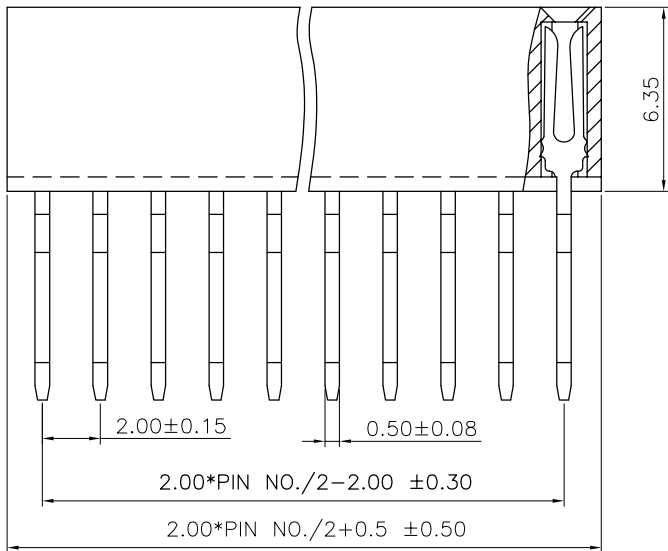
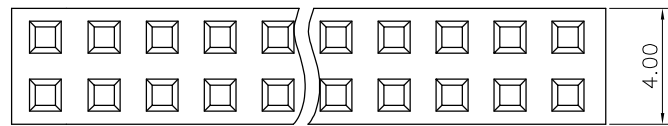


The product using material and processing must conform to the "WI-PZ-001"HSF technical standard control requirements

RoHS



RECOMMENDED PCB LAYOUT  
(GENERAL TOLERANCE: ±0.05)

NOTE:

- 1.MATERIAL SPECIFICATION:
  - 1-1.HOUSING: UL94V-0
  - 1-2.CONTACTS: BRASS
- 2.PLATING SPECIFICATION:
  - 2-1.CONTACTS: GOLD FLASH OVER NICKEL
- 3.ELECTRICAL PERFORMANCE:
  - 3-1.CURRENT RATING: 2A
  - 3-2.CONTACT RESISTANCE: 30 mΩ MAX
  - 3-3.INSULATION RESISTANCE: 1000MΩ Min
  - 3-4.DIELECTRIC WITHSTANDING : 300V
- 4.ENVIRONMENTAL PERFORMANCE:
  - 4-1.OPERATING TEMPERATURE: -40°C~+105°C.
- 5.PACKAGE SPEC: TUBE
- 6.P/N:

FH2005 64 F 9-2 XX 2 X X X 02

SERIES NO: \_\_\_\_\_ HOUSING: 1-PA6T

HEIGHT: \_\_\_\_\_ COLOR: A-BLACK

64: 6.35mm

MALE FEMALE: \_\_\_\_\_ PLATING: A-ALL AU G/F


F-FEMALE

ANGLE: \_\_\_\_\_ 9-90°

ROW NO: \_\_\_\_\_ 2-DOUBLE ROW

PIN Q'PY: \_\_\_\_\_ TERMIPOINT: 2-SMT

02~80

REV.	REVISION RECORD	DATE	UNIT:mm	GENERAL TOLERANCES		SCALE:	NAME	DATE	PART.NO:	DWG.NO:	
AO	NEW RELEASE	21.10.15		LINEAR	ANGLES	1:1					
			0.00±0.25	X'±3'	DESIGNER	Gao_Han	21.10.15	TITLE: 2.0双排母H6.35W4.0 卧贴 系列			REV: A0    SHEET: 1/1
			0.00±0.10	X'X' ±2'	DRAWN	Gao_Han	21.10.15				