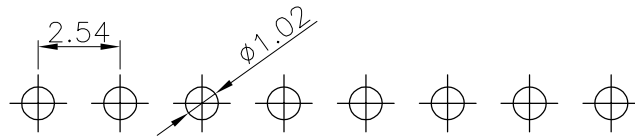
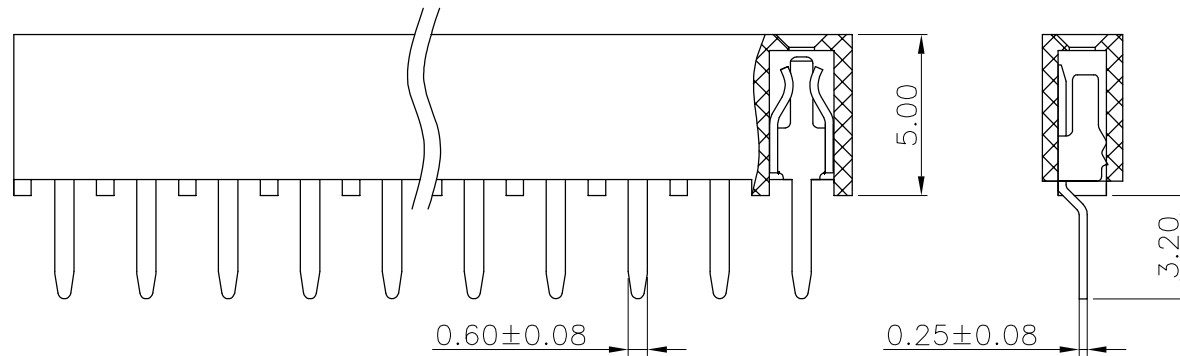
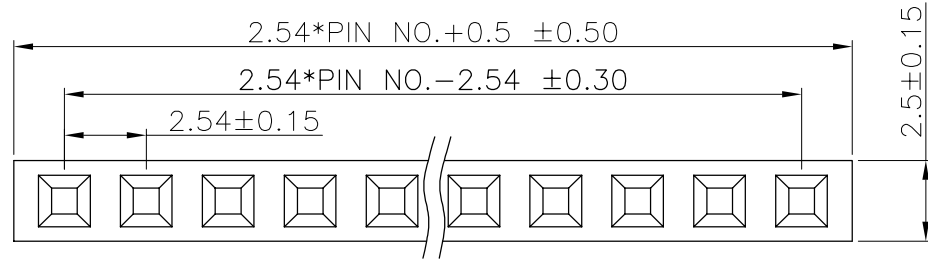


The product using material and processing must conform to the "WI-PZ-001"HSF technical standard control requirements

RoHS



NOTE:

- 1.MATERIAL SPECIFICATION:
 - 1-1.HOUSING: PA6T,UL94V-0
 - 1-2.CONTACTS: BRASS
- 2.PLATING SPECIFICATION:
 - 2-1.CONTACTS: GOLD FLASH OVER NICKEL
- 3.ELECTRICAL PERFORMANCE:
 - 3-1.CURRENT RATING: 3A AC/DC
 - 3-2.CONTACT RESISTANCE: 30 mΩ MAX
 - 3-3.INSULATION RESISTANCE: 1000MΩ Min
 - 3-4.DIELECTRIC WITHSTANDING : 500V
- 4.ENVIRONMENTAL PERFORMANCE:
 - 4-1.OPERATING TEMPERATURE: -40°C~+105°C.
- 5.PACKAGE SPEC: TUBE
- 6.P/N:

FH2541 50 F 0-1 XX 1 X X X 02

SERIES NO: _____ HOUSING: 1-PA6T

HEIGHT: _____ COLOR: A-BLACK

50: 5.0mm

MALE FEMALE: _____ PLATING: A-ALL AU G/F

0-180°

ROW NO: _____

1-SINGLE ROW

PIN Q'PY: _____ TERMIPOINT: 1-DIP

04~80

RECOMMEND P. C. B LAYOUT

PCB TOLERANCE: ±0.05 (TOP VIEW)

REV.	REVISION RECORD	DATE		GENERAL TOLERANCES		SCALE: 1:1	NAME	DATE	PART.NO: FH254150F0-1XX1XXX02	DWG.NO: ENDE05	 WanLian Technology Co., Ltd	
AO	NEW RELEASE	22.10.28		LINEAR	ANGLES	APPROVED	Wang_jr	22.10.28				
			UNIT:mm	0.00±0.25	X'±3'	DESIGNER	Han_Gao	22.10.28	TITLE: Pitch 2.54mm 180° 单排 DIP 排母 塑高5.0	REV: A0		SHEET: 1/1
			SIZE: A4	0.000±0.10	X'X' ±2'	DRAWN	LanXuan_Hou	22.10.28				