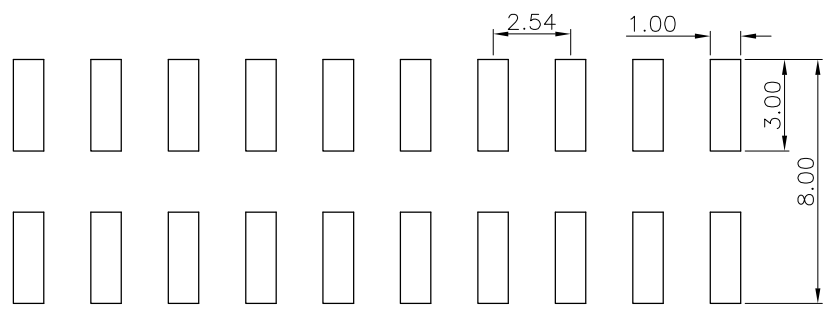
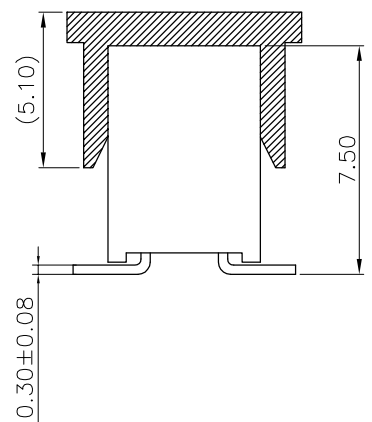
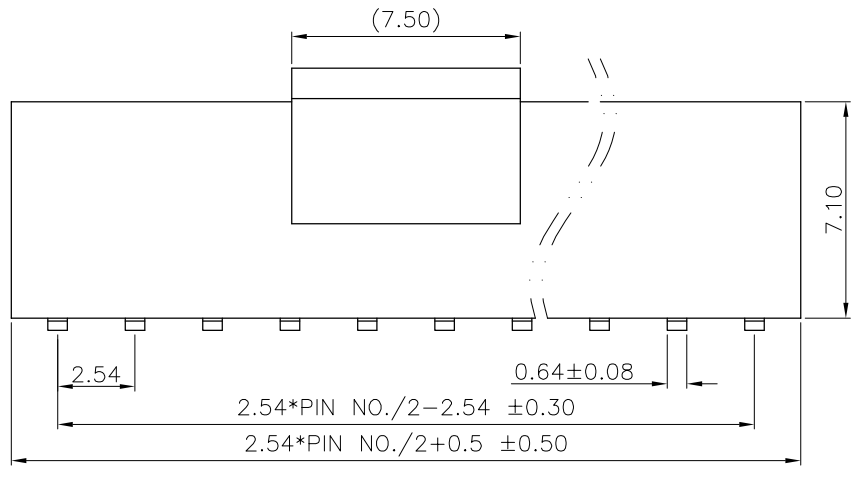
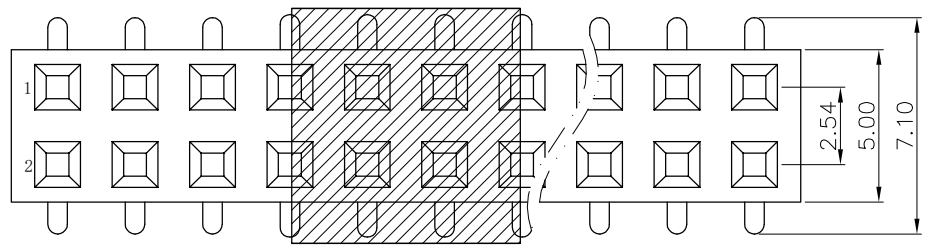


The product using material and processing must conform to the "WI-PZ-001" HSF technical standard control requirements

RoHS



RECOMMENDED P. C. B LAYOUT
P. C. B TOLERANCE: ±0.05

NOTE:
1.MATERIAL SPECIFICATION:
1-1.HOUSING: PA6T,UL94V-0
1-2.CONTACTS: BRASS
2.PLATING SPECIFICATION:
2-1.CONTACTS:
GOLD FLASH/TIN OVER NICKEL
3.ELECTRICAL PERFORMANCE:
3-1.CURRENT RATING: 3A
3-2.CONTACT RESISTANCE: 30 mΩ MAX
3-3.INSULATION RESISTANCE: 1000MΩ Min
3-4.DIELECTRIC WITHSTANDING : 500V
4.ENVIRONMENTAL PERFORMANCE:
4-1.OPERATING TEMPERATURE: -40°C~+105°C.
5.PACKAGE SPEC: REEL
6.P/N:

FH2541 71 F 0-2 XX 2 X X X 01
SERIES NO: _____ HOUSING: 7-PA6T
HEIGHT: _____ 71: 7.1mm
MALE FEMALE: _____ F-FEMALE
ANGLE: _____ 0-180°
ROW NO: _____ 2-DOUBLE ROW
PIN Q'PY: _____ 02~80
COLOR: A-BLACK
PLATING: A-ALL AU G/F
TERMPOINT: 2-SMT

REV.	REVISION RECORD	DATE		GENERAL TOLERANCES		SCALE: 1:1	NAME	DATE	PART.NO: FH254171F0-2XX2XXX01	DWG.NO: ENDE05	 WanLian Technology Co., Ltd	
A0	NEW RELEASE	21.10.15		LINEAR	ANGLES	APPROVED	Wang_jr	21.10.15				
			UNIT:mm	0.00±0.25	X'±3'	DESIGNER	Gao_Han	21.10.15	TITLE: Pitch 2.54mm 180° 双排H7.1 SMT U型排母	REV: A0		SHEET: 1/1
			SIZE: A4	0.000±0.10	X'X' ±2'	DRAWN	Gao_Han	21.10.15				

WanLian Technology Co., Ltd

REV: A0 SHEET: 1/1