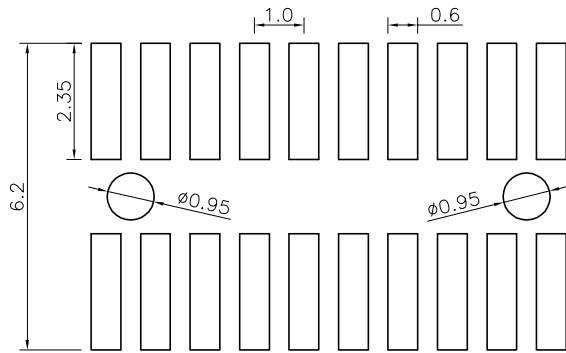
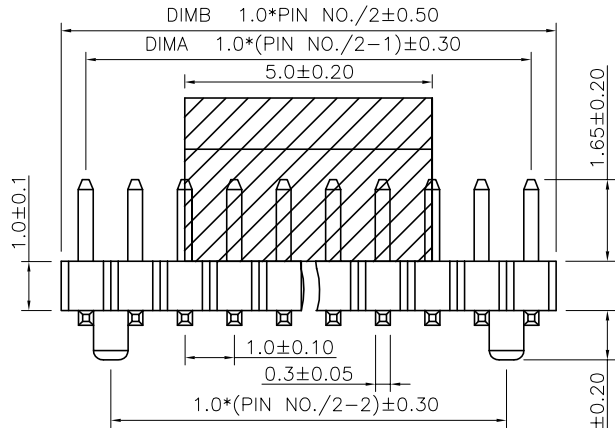
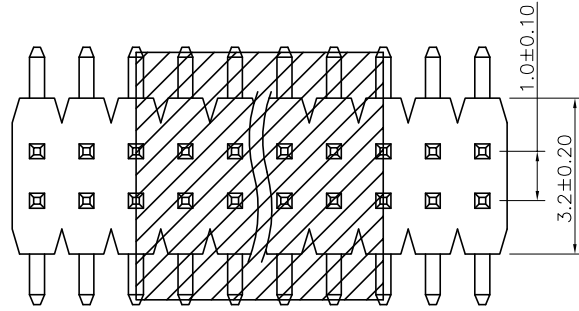
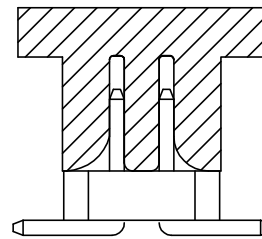
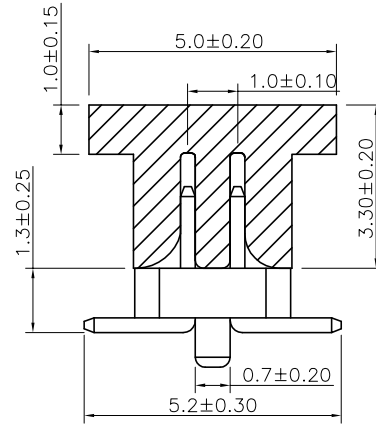


The product using material and processing must conform to the "WL-PZ-001" HSF technical standard control requirements

RoHS



Recommended PCB layout



NOTE:

- 1.MATERIAL SPECIFICATION:
 - 1-1.HOUSING: UL94V-0
 - 1-2.CONTACTS: BRASS
- 2.PLATING SPECIFICATION:
 - 2-1.CONTACTS: TIN/GOLD FLASH PLATED OVER ALL.
- 3.MECHANICAL PERFORMANCE:
 - 3-1.RETENTIVITY FORCE: 0.2KGF/pin min
 - 3-2.DURABILITY: 100 CYCLES.
- 4.ELECTRICAL PERFORMANCE:
 - 4-1.CURRENT RATING: 1A AC/DC
RATED VOLTAGE : 300V AC/DC
 - 4-2.CONTACT RESISTANCE: 20 mΩ MAX
 - 4-3.INSULATION RESISTANCE: 1000MΩ Min
 - 4-4.DIELECTRIC WITHSTANDING : 300V
- 5.ENVIRONMENTAL PERFORMANCE:
 - 5-1.OPERATING TEMPERATURE: -40°C~+105°C.
- 6.PACKAGE SPEC: REEL
- 7.P/N:

PH1007 10 M 0-2 XX 2 X X X 01
 SERIES NO: _____ HOUSING: 1-PA9T
 HEIGHT: _____ COLOR: A-BLACK
 10: 1.0mm
 MALE FEMALE: _____ PLATING: A-ALL AU G/F
 M-MALE
 ANGLE: _____ TERMPPOINT: 2-SMT
 0-180°
 ROW NO: _____
 2-DOUBLE ROW
 PIN Q'PY: _____
 04~100

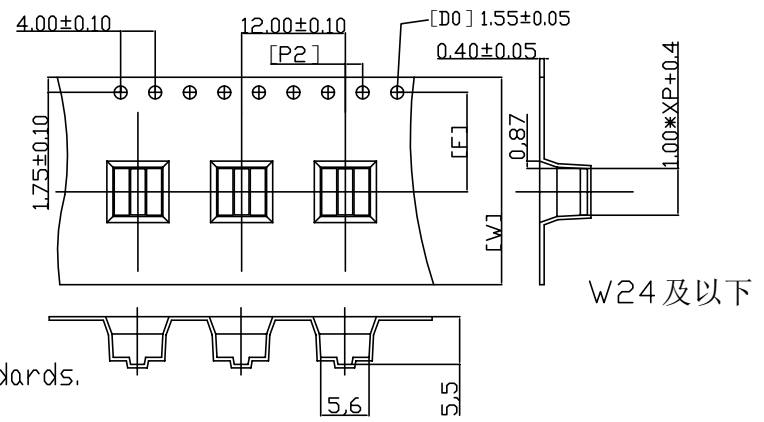
PIN NO.	DIMENSION		PIN NO.	DIMENSION		PIN NO.	DIMENSION		PIN NO.	DIMENSION	
	DIMA	DIMB		DIMA	DIMB		DIMA	DIMB		DIMA	DIMB
2*2	1.0	2.0	2*14	13.0	14.0	2*27	26.0	27.0	2*40	39.0	40.0
2*3	2.0	3.0	2*15	14.0	15.0	2*28	27.0	28.0	2*41	40.0	41.0
2*4	3.0	4.0	2*16	15.0	16.0	2*29	28.0	29.0	2*42	41.0	42.0
2*5	4.0	5.0	2*17	16.0	17.0	2*30	29.0	30.0	2*43	42.0	43.0
2*6	5.0	6.0	2*18	17.0	18.0	2*31	30.0	31.0	2*44	43.0	44.0
2*7	6.0	7.0	2*19	18.0	19.0	2*32	31.0	32.0	2*45	44.0	45.0
2*8	7.0	8.0	2*20	19.0	20.0	2*33	32.0	33.0	2*46	45.0	46.0
2*9	8.0	9.0	2*21	20.0	21.0	2*34	33.0	34.0	2*47	46.0	47.0
2*10	9.0	10.0	2*22	21.0	22.0	2*35	34.0	35.0	2*48	47.0	48.0
2*11	10.0	11.0	2*23	22.0	23.0	2*36	35.0	36.0	2*49	48.0	49.0
2*12	11.0	12.0	2*24	23.0	24.0	2*37	36.0	37.0	2*50	49.0	50.0
2*13	12.0	13.0	2*25	24.0	25.0	2*38	37.0	38.0			
			2*26	25.0	26.0	2*39	38.0	39.0			

REV.	REVISION RECORD	DATE		GENERAL TOLERANCES		SCALE: 1:1	NAME	DATE	PART.NO: PH100710M0-2XX2XXX01	DWG.NO: ENDE05	 WanLian Technology Co., Ltd
AO	NEW RELEASE	22.05.09		LINEAR	ANGLES	APPROVED	Wang_jr	22.05.09			
			UNIT:mm	X'REF±6°	DESIGNER	Han_Gao	22.05.09	TITLE: PH1.0 双排排针 SQ4.75/5.2(0)/1.65 SMT 加盖 带柱	REV: A0	SHEET: 1/2	
			SIZE: A4	X'±3°	DRAWN	LanXuan_Hou	22.05.09				

The product using material and processing must conform to the "WL-PZ-001" HSF technical standard requirements

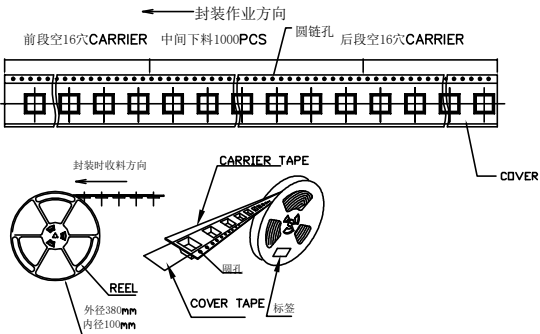
RoHS

PIN	W	F
2*3-6	16	7.50
2*7-14	24	11.50
2*15-18	32	14.20
2*19-30	44	20.20
2*31-43	56	26.20
2*44-50	72	34.20



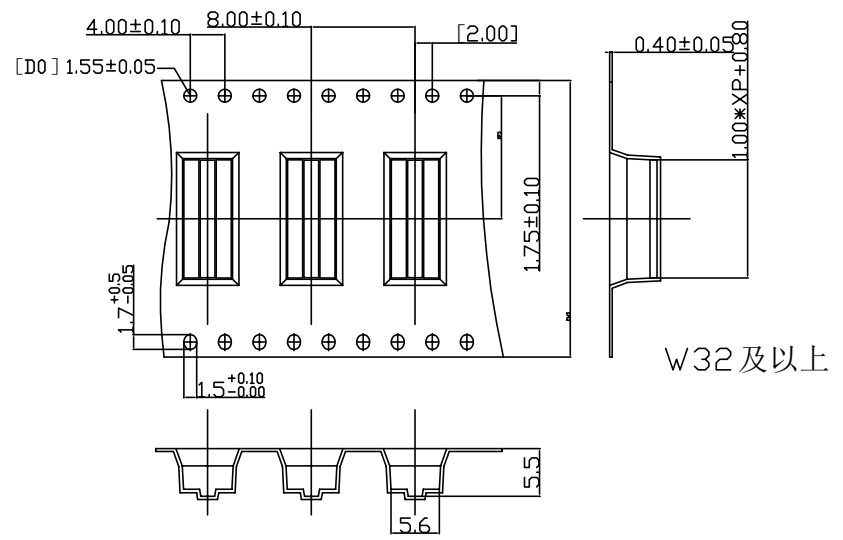
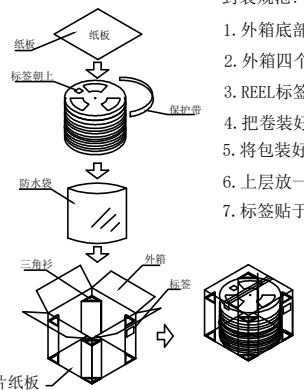
W24 及以下

- Notes:
- 1.Packing Conforms EIA-481-C Standards.
 - 2.10 sprocket hole pitch cumulative±0.20MM
 - 3.Carrier camber is within 1mm in 250mm.
 - 4.Marterial:BLACK Polystyrene.
 - 5.Packing length per 13"Reel:13Meters.
 - 6.Component load per 13"Reel:1000+32PCS.




W	R(卷)/C(箱)	pcs/R(卷)
W16	14	1000
W24	10	1000
W32	8	1000
W44	6	1000
W56	5	1000
W72	4	1000

- 封装规范:
1. 外箱底部先垫一片纸板
 2. 外箱四个内角各放置一个角彩
 3. REEL 标签一律朝上
 4. 把卷装好的产品平放防水袋
 5. 将包装好的产品放进外箱
 6. 上层放一片纸板
 7. 标签贴于箱外



W32 及以上

REV.	REVISION RECORD	DATE	GENERAL TOLERANCES		SCALE:	NAME	DATE	PART.NO:	DWG.NO:	 WanLian Technology Co., Ltd	
AO	NEW RELEASE	22.05.09	LINEAR	ANGLES	1:1	APPROVED	Wang_jr	22.05.09	ENDE05		
			0.0±0.35	X°REF±6'		DESIGNER	Han_Gao	22.05.09	TITLE:		
			0.00±0.25	X'±3'		DRAWN	LanXuan_Hou	22.05.09	PH1.0 双排排针 包装图		
			UNIT:mm	X'±3'						REV: A0	SHEET: 2/2
			SIZE: A4	X°X'±2'							