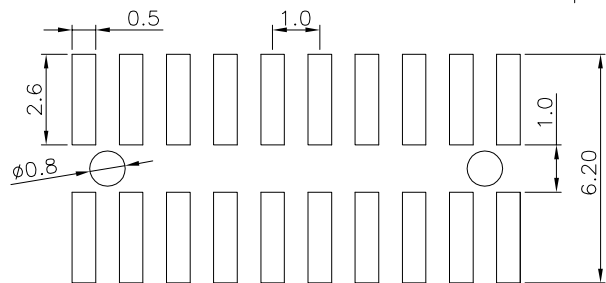
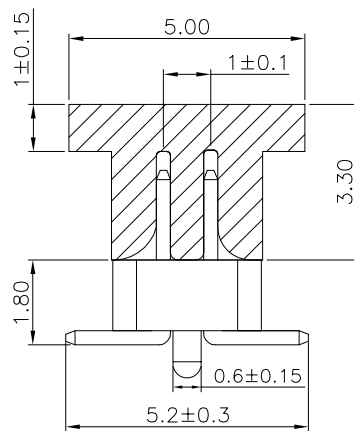
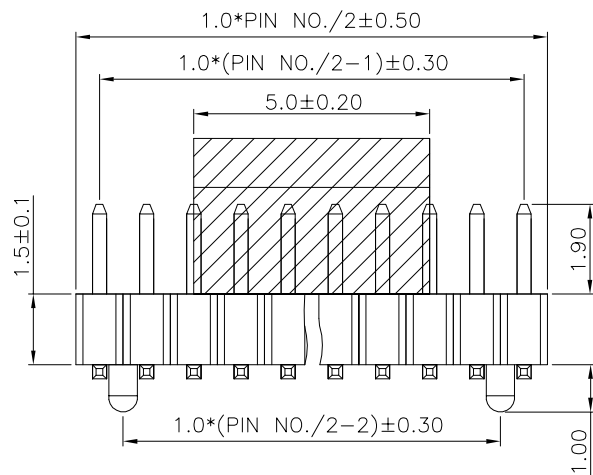
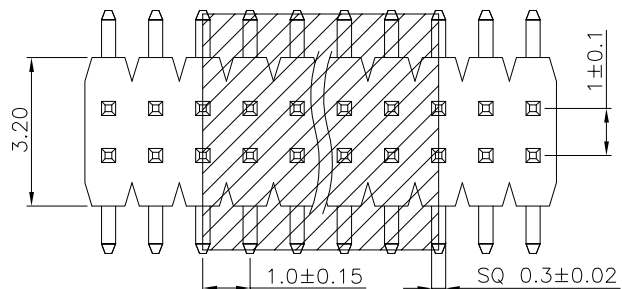


The product using material and processing must conform to the "WI-PZ-001"HSF technical standard control requirements

RoHS



P.C.B LAYOUT

NOTE:

- 1.MATERIAL SPECIFICATION:
 - 1-1.HOUSING: UL94V-0
 - 1-2.CONTACTS: BRASS
- 2.PLATING SPECIFICATION:
 - 2-1.CONTACTS: GOLD FLASH PLATED OVER NICKEL.
- 3.MECHANICAL PERFORMANCE:
 - 3-1.RETENTIVITY FORCE: 0.2kgf/PIN MIN
 - 3-2.DURABILITY: 100 CYCLES.
- 3.ELECTRICAL PERFORMANCE:
 - 3-1.CURRENT RATING: 1A
 - RATED VOLTAGE : 300V AC/DC
 - 3-2.CONTACT RESISTANCE: 20 mΩ MAX
 - 3-3.INSULATION RESISTANCE: 1000MΩ Min
 - 3-4.DIELECTRIC WITHSTANDING : 300V
- 4.ENVIRONMENTAL PERFORMANCE:
 - 4-1.OPERATING TEMPERATURE: -40°C~+105°C.
- 5.PACKAGE SPEC: REEL
- 6.P/N:

PH1007 15 M 0-2 XX 2 X X X 01

SERIES NO: _____ HOUSING: 1-PA6T

HEIGHT: _____ COLOR: A-BLACK

15: 1.5mm

MALE FEMALE: _____ PLATING: A-ALL AU G/F

M-MALE

ANGLE: _____ TERMIPOINT: 2-SMT

0-180°

ROW NO: _____ PIN Q'PY: XX Pin

2-DOUBLE ROW

REV.	REVISION RECORD	DATE	GENERAL TOLERANCES		SCALE:	NAME	DATE	PART.NO:	DWG.NO:	 WanLian Technology Co., Ltd
A0	NEW RELEASE	21.10.15	 LINEAR 0.0±0.35	ANGLES X'REF±6°	1:1	Wang_jr	23.04.14	PH100715M0-2XX2XXX01	ENDE05	
A1	Update package quantity	23.04.14			UNIT:mm	X'±3°	APPROVED	Gao_Han	23.04.14	
			SIZE: A4	0.000±0.10	DESIGNER	LX_HOU	23.04.14	Pitch 1.0mm 180° 双排排针 带柱 SMT+CAP H1.5		
					DRAWN					SHEET: 1/1