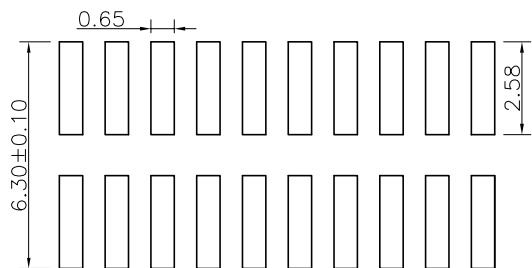
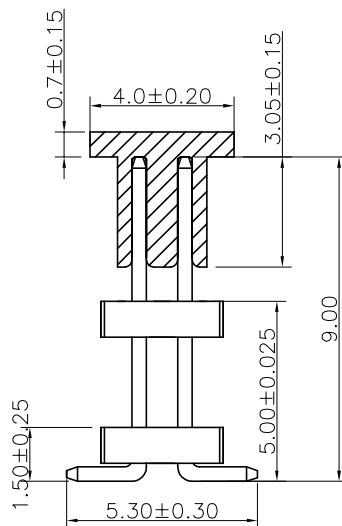
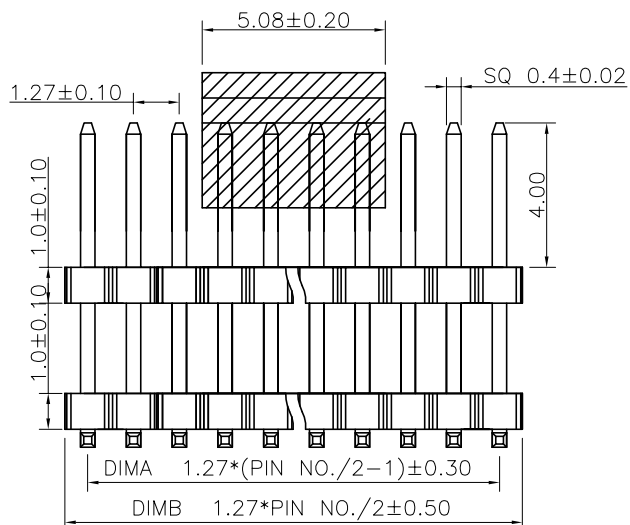
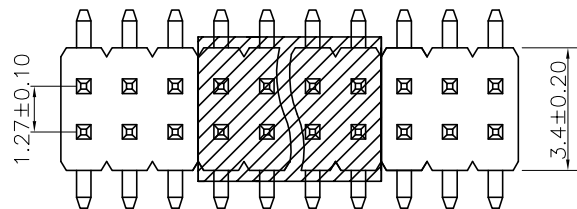


The product using material and processing must conform to the "WI-PZ-001" HSF technical standard control requirements



NOTE:
 1.MATERIAL SPECIFICATION:
 1-1.HOUSING: PA9T,UL94V-0
 1-2.CONTACTS: BRASS
 2.PLATING SPECIFICATION:
 2-1.CONTACTS:
 TIN/GOLD FLASH OVER NICKEL
 3.MECHANICAL PERFORMANCE:
 3-1.RETENTIVITY FORCE: 0.2kgf/PIN MIN
 3-2.DURABILITY: 100 CYCLES.
 3.ELECTRICAL PERFORMANCE:
 3-1.CURRENT RATING: 1A
 RATED VOLTAGE : 300V AC/DC
 3-2.CONTACT RESISTANCE: 20 mΩ MAX
 3-3.INSULATION RESISTANCE: 1000MΩ Min
 3-4.DIELECTRIC WITHSTANDING : 300V
 4.ENVIRONMENTAL PERFORMANCE:
 4-1.OPERATING TEMPERATURE: -40°C~+105°C.
 5.PACKAGE SPEC: REEL/TUBE
 6.P/N:

PH1276 10 M 0-2 XX 2 X X X 03
 SERIES NO: _____ PACKAGE:
 HEIGHT: _____ 1-TUBE(不戴帽)
 10: 1.0mm 2-REEL(戴帽)
 MALE FEMALE: _____ COLOR:
 M-MALE A-BLACK
 ANGLE: _____ PLATING:
 0-180° A-ALL AU G/F
 ROW NO: _____ 1-G/F
 2-DOUBLE ROW C-BRIGHT TIN
 PIN Q'PY: _____ TERMIPOINT:
 04~100 2-SMT



Recommended PCB layout

PIN NO.	DIMENSION		PIN NO.	DIMENSION		PIN NO.	DIMENSION		PIN NO.	DIMENSION	
	DIMA	DIMB		DIMA	DIMB		DIMA	DIMB		DIMA	DIMB
			2*14	16.51	17.78	2*27	33.02	34.29	2*40	49.53	50.8
2*2	1.27	2.54	2*15	17.78	19.05	2*28	34.29	35.56	2*41	50.8	52.07
2*3	2.54	3.81	2*16	19.05	20.32	2*29	35.56	36.83	2*42	52.07	53.34
2*4	3.81	5.08	2*17	20.32	21.59	2*30	36.83	38.1	2*43	53.34	54.61
2*5	5.08	6.35	2*18	21.59	22.86	2*31	38.1	39.37	2*44	54.61	55.08
2*6	6.35	7.62	2*19	22.86	24.13	2*32	39.37	40.64	2*45	55.08	57.15
2*7	7.62	8.89	2*20	24.13	25.4	2*33	40.64	41.91	2*46	57.15	58.42
2*8	8.89	10.16	2*21	25.4	26.67	2*34	41.91	43.18	2*47	58.42	59.69
2*9	10.16	11.43	2*22	26.67	27.94	2*35	43.18	44.45	2*48	59.69	60.96
2*10	11.43	12.7	2*23	27.94	29.21	2*36	44.45	45.72	2*49	60.96	62.23
2*11	12.7	13.97	2*24	29.21	30.48	2*37	45.72	46.99	2*50	62.23	63.5
2*12	13.97	15.24	2*25	30.48	31.75	2*38	46.99	48.26			
2*13	15.24	16.51	2*26	31.75	33.02	2*39	48.26	49.53			

REV.	REVISION RECORD	DATE	UNIT:mm	GENERAL TOLERANCES		SCALE:	NAME	DATE	PART.NO:	DWG.NO:	REV: A0	SHEET: 1/1
AO	NEW RELEASE	21.11.17		LINEAR	ANGLES	1:1						
			0.00±0.25	X°REF±6°		DESIGNER	Han_Gao	21.11.17	TITLE:			
			0.000±0.10	X°X'±2°		DRAWN	Zijun_Huang	21.11.17	Pitch 1.27mm 180° 双排双塑 SMT 排针 塑高 1.0 PA:4.0 PC:5.30			



WanLian Technology Co., Ltd