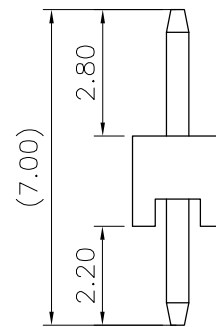
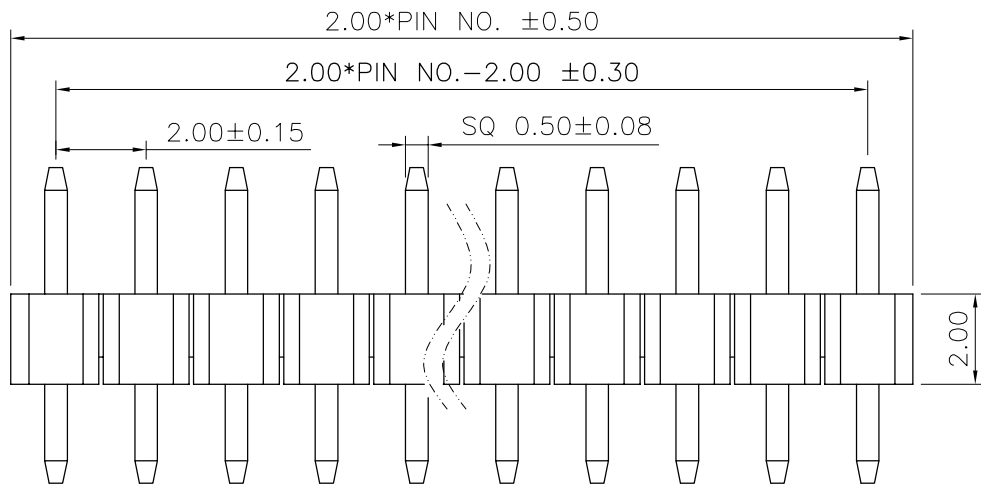


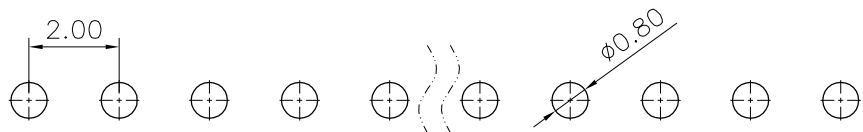
The product using material and processing must conform to the "WI-PZ-001"HSF technical standard control requirements

ROHS



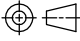

NOTE:  
 1.MATERIAL SPECIFICATION:  
 1-1.HOUSING: PA9T,UL94V-0  
 1-2.CONTACTS: BRASS  
 2.PLATING SPECIFICATION:  
 2-1.CONTACTS:  
 GOLD FLASH OVER NICKEL  
 3.ELECTRICAL PERFORMANCE:  
 3-1.CURRENT RATING: 2A  
 3-2.CONTACT RESISTANCE: 30 mΩ MAX  
 3-3.INSULATION RESISTANCE: 1000MΩ Min  
 3-4.DIELECTRIC WITHSTANDING : 300V  
 4.ENVIRONMENTAL PERFORMANCE:  
 4-1.OPERATING TEMPERATURE: -40°C~+105°C.  
 5.PACKAGE SPEC: Pe bag  
 6.P/N:

PH2005 20 M 0-1 XX 1 X X X 02  
 SERIES NO: PH2005  
 HEIGHT: 20: 2.0mm  
 MALE FEMALE: M-MALE  
 ANGLE: 0-180°  
 ROW NO: 1-SINGLE ROW  
 PIN Q' PY: 02~80  
 HOUSING: 1-PA9T  
 COLOR: A-BLACK  
 PLATING: A-ALL AU G/F  
 TERMIPOINT: 1-DIP



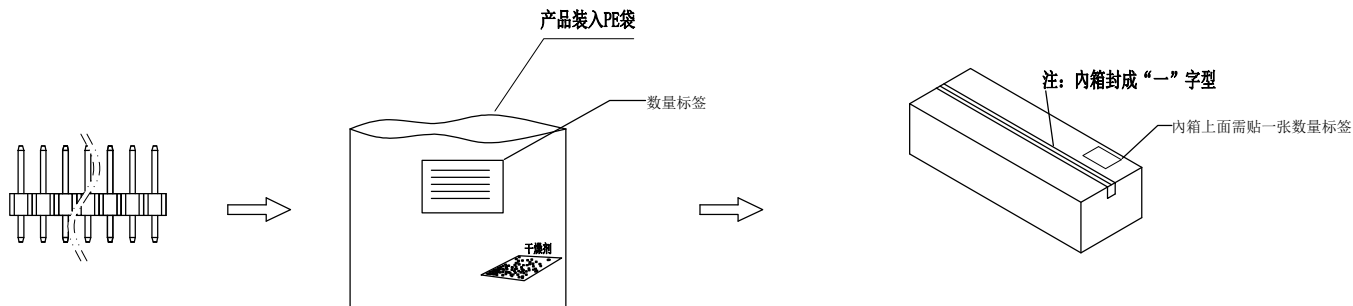
RECOMMENDED P. C. B LAYOUT

P. C. B TOLERANCE: ±0.05

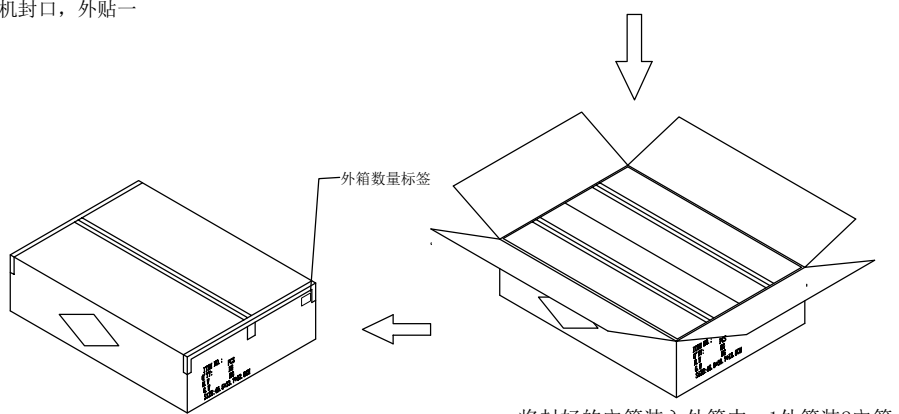
REV.	REVISION RECORD	DATE		GENERAL TOLERANCES		SCALE: 1:1	NAME	DATE	PART.NO: PH200520M0-1XX1XXX02	DWG.NO: ENDE05	 WanLian Technology Co., Ltd
AO	NEW RELEASE	21.10.15		LINEAR	ANGLES	APPROVED	Wang_jr	21.10.15			
			UNIT:mm	0.00±0.25	X'±3'	DESIGNER	Gao_Han	21.10.15	TITLE: 2.0单排针H2.0W2.0 180度 L=7.0 系列 PC:2.2		
			SIZE: A4	0.000±0.10	X'X' ±2'	DRAWN	Gao_Han	21.10.15			

The product using material and processing must conform to the "WI-PZ-001"HSF technical standard control requirements

ROHS



产品  
产品装入PE袋、内放一包干燥剂、, 如图所示; 用封口机封口, 外贴一张数量标签,  
将PE袋装好的产品放入内箱: 每箱10袋



外箱封口“工”字型,  
将封好的内箱装入外箱中, 1外箱装2内箱

备注:  
1: 包装数量: 10袋/内箱;  
20袋/外箱;  
2: 纸箱规格: 内箱: 45.0\*16.0\*11.5CM  
外箱: 46.5\*33.7\*12.8CM

双排		单排	
PIN数	PCS/袋	PIN数	PCS/袋
1-----5	1000	1-----5	2000
6-----10	500	6-----10	2000
11-----15	300	11-----15	1000
16-----20	200	16-----20	500
21-----25	100	21-----25	300
26-----30	100	26-----30	200
31-----35	100	31-----35	100
36-----40	50	36-----40	50

REV.	REVISION RECORD		DATE		GENERAL TOLERANCES		SCALE: 1:1	NAME	DATE	PART.NO:	DWG.NO:	 WanLian Technology Co., Ltd
A0	NEW RELEASE		21.10.15		LINEAR	ANGLES	APPROVED	Wang_jr	21.10.15	PH200520M0-1XX1XXX02		
				UNIT:mm	0.00±0.25	X'±3'	DESIGNER	Gao_Han	21.10.15	TITLE:		REV: A0 SHEET: 2/2
				SIZE: A4	0.000±0.10	X'X' ±2'	DRAWN	Gao_Han	21.10.15	2.0单排针H2.0W2.0 180度 L=7.0 系列 PC:2.2		