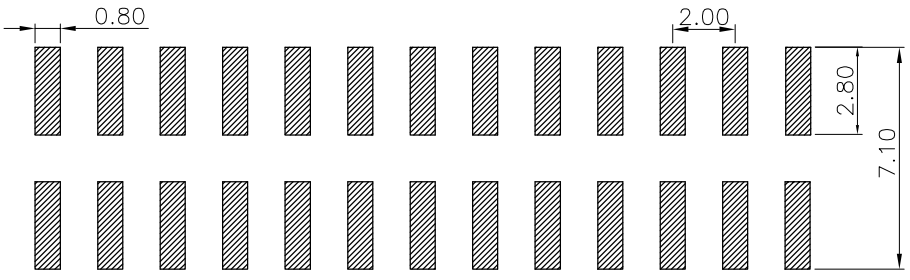
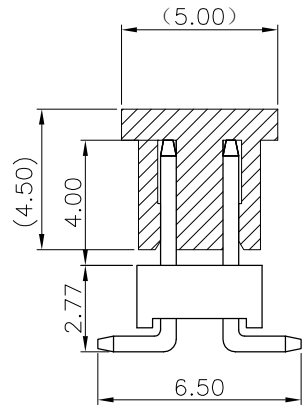
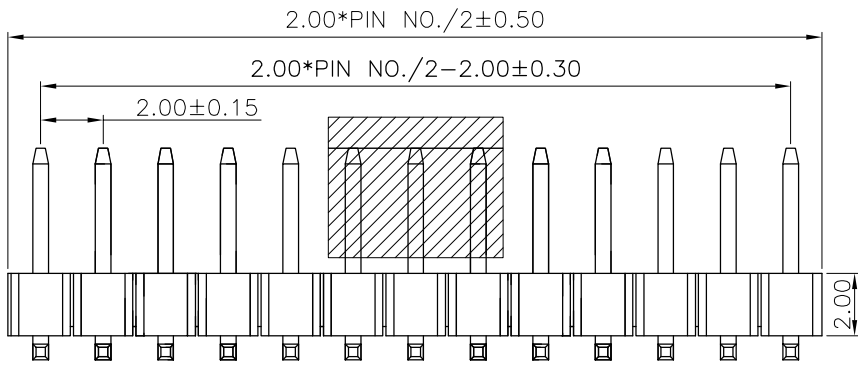
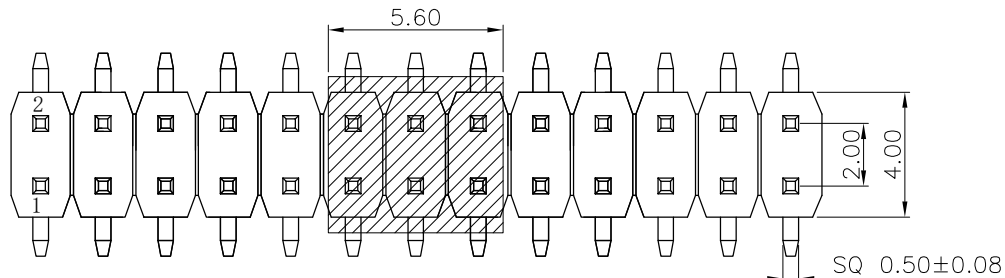


The product using material and processing must conform to the "WI-PZ-001"HSF technical standard control requirements



RECOMMENDED PCB LAYOUT
(GENERAL TOLERANCE:±0.05)

NOTE:
 1.MATERIAL SPECIFICATION:
 1-1.HOUSING: UL94V-0
 1-2.CONTACTS: BRASS
 2.PLATING SPECIFICATION:
 2-1.CONTACTS:
 GOLD FLASH/TIN OVER NICKEL
 3.ELECTRICAL PERFORMANCE:
 3-1.CURRENT RATING: 2A
 3-2.CONTACT RESISTANCE: 30 mΩ MAX
 3-3.INSULATION RESISTANCE: 1000MΩ Min
 3-4.DIELECTRIC WITHSTANDING : 300V
 4.ENVIRONMENTAL PERFORMANCE:
 4-1.OPERATING TEMPERATURE: -40°C~+105°C.
 5.PACKAGE SPEC: REEL
 6.P/N:

PH2005 20 M 0-2 XX 2 X X X 03
 SERIES NO: _____ HOUSING: 1-PA6T
 HEIGHT: _____ COLOR: A-BLACK
 20: 2.0mm
 MALE FEMALE: _____ PLATING: A-ALL AU G/F P-AU 足1U"
 M-MALE
 ANGLE: _____ ROW NO: 2-DOUBLE ROW
 0-180'
 PIN Q'PY: _____ TERMIPOINT: 2-SMT
 02~80

REV.	REVISION RECORD	DATE		GENERAL TOLERANCES		SCALE: 1:1	NAME	DATE	PART.NO:	DWG.NO:	
AO	NEW RELEASE	21.10.15		LINEAR	ANGLES	APPROVED	Wang_jr	21.10.15	PH200520M0-2XX2XXX03	ENDE05	
			UNIT:mm	X'±3'	DESIGNER	Gao_Han	21.10.15	TITLE:			
			SIZE: A4	X'X' ±2'	DRAWN	Gao_Han	21.10.15	Pitch 2.00mm 180° 双排 SMT 单塑排针 SMT+CAP PC6.5			
										REV: A0	SHEET: 1/1