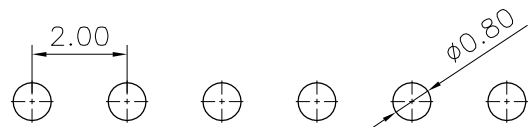
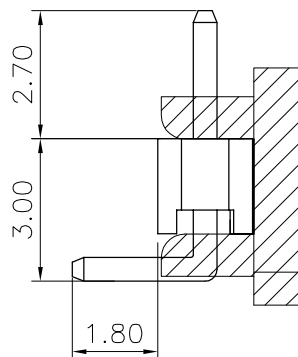
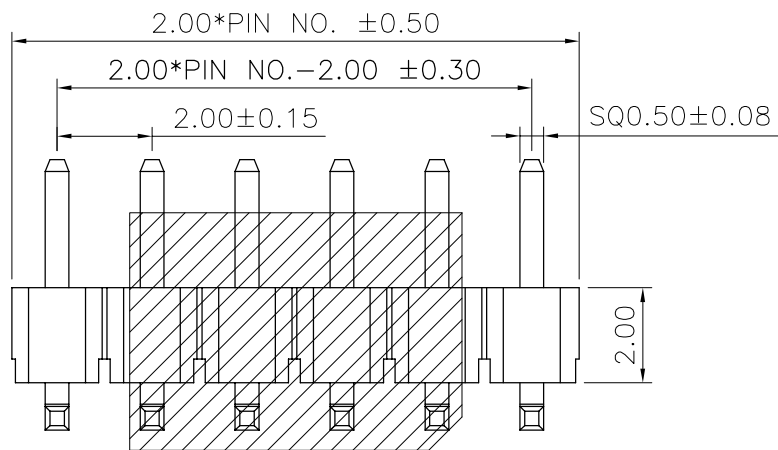
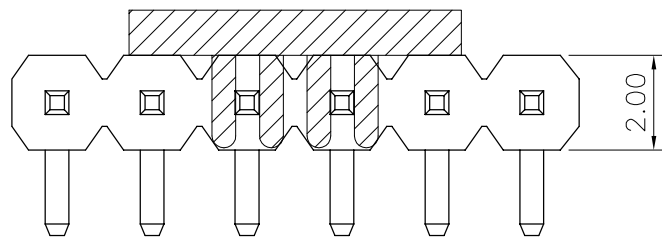


The product using material and processing must conform to the "WI-PZ-001"HSF technical standard control requirements

ROHS+HF



RECOMMENDED P. C. B LAYOUT
P. C. B TOLERANCE: ±0.05

NOTE:

- 1.MATERIAL SPECIFICATION:
 - 1-1.HOUSING: UL94V-0
 - 1-2.CONTACTS: BRASS
- 2.PLATING SPECIFICATION:
 - 2-1.CONTACTS: GOLD FLASH OVER NICKEL
- 3.ELECTRICAL PERFORMANCE:
 - 3-1.CURRENT RATING: 2A
 - 3-2.CONTACT RESISTANCE: 30 mΩ MAX
 - 3-3.INSULATION RESISTANCE: 1000MΩ Min
 - 3-4.DIELECTRIC WITHSTANDING : 300V
- 4.ENVIRONMENTAL PERFORMANCE:
 - 4-1.OPERATING TEMPERATURE: -40°C~+105°C.
- 5.PACKAGE SPEC: REEL
- 6.P/N:

PH2005 20 M 9-1 XX 1 X X X 01

SERIES NO: _____ HOUSING: 1-PA6T

HEIGHT: _____ 20: 2.0mm

MALE FEMALE: _____ COLOR: A-BLACK

M-MALE

ANGLE: _____ 9-90°

ROW NO: _____ PLATING: A-ALL AU G/F

1-SINGLE ROW

PIN Q'PY: _____ TERMIPOINT: 1-DIP

02~40

REV.	REVISION RECORD	DATE		GENERAL TOLERANCES		SCALE: 1:1	NAME	DATE	PART.NO: PH200520M9-1XX1XXX01	DWG.NO: ENDE05	
A0	NEW RELEASE	21.10.15		LINEAR	ANGLES	APPROVED	Wang_jr	21.10.15			
			UNIT:mm	0.00±0.25	X'±3'	DESIGNER	Gao_Han	21.10.15	TITLE:		
			SIZE: A4	0.000±0.10	X'X' ±2'	DRAWN	Gao_Han	21.10.15	2.0单排针H2.0W2.0 90度 +CAP弯凹槽 PC1.8系列		
									REV: A0	SHEET: 1/2	