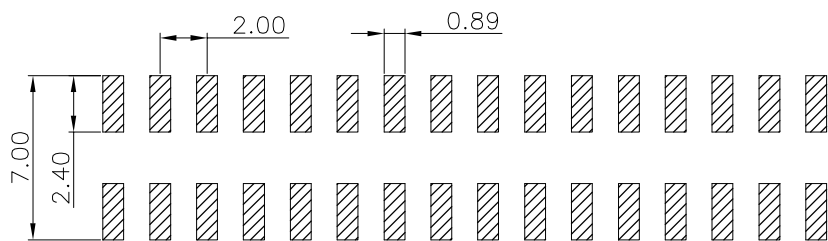
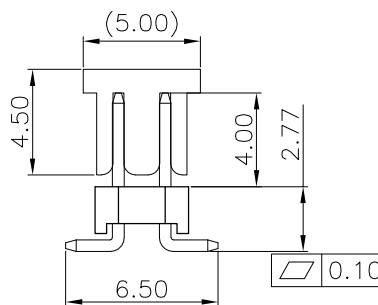
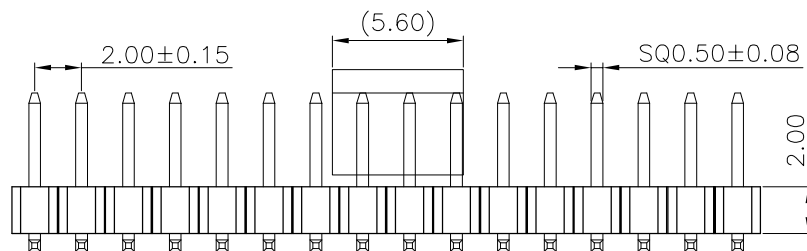
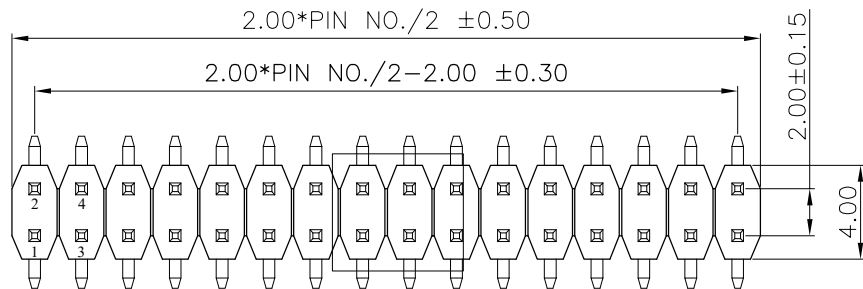


The product using material and processing must conform to the "WI-PZ-142" HSF technical standard control requirements



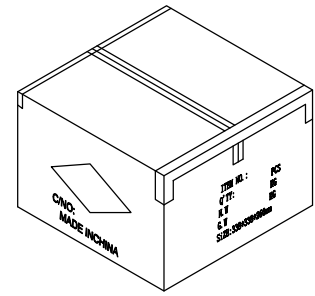
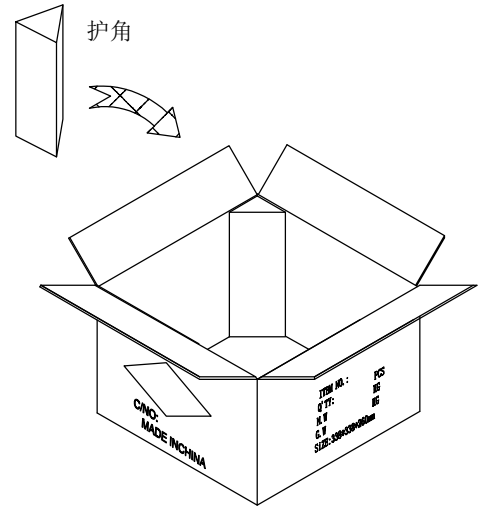
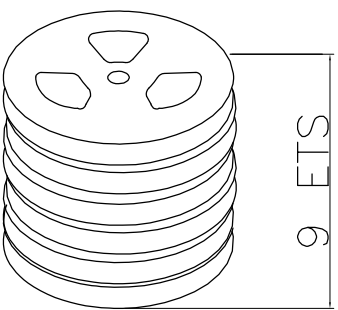
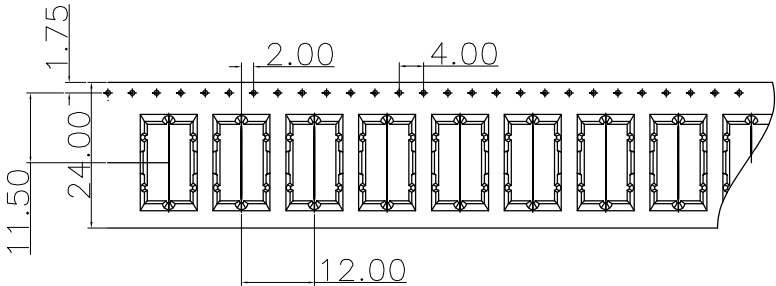
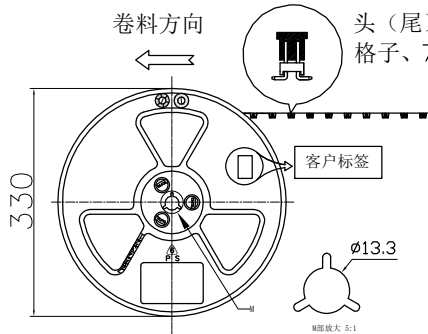
RECOMMENDED PCB LAYOUT
(GENERAL TOLERANCE: ±0.05)

NOTE:

- 1.MATERIAL SPECIFICATION:
 - 1-1.HOUSING: LCP,UL94V-0
 - 1-2.CONTACTS: BRASS
 - 2.PLATING SPECIFICATION:
 - 2-1.CONTACTS: GOLD FLASH OVER NICKEL
 - 3.ELECTRICAL PERFORMANCE:
 - 3-1.CURRENT RATING: 2A
 - 3-2.CONTACT RESISTANCE: 30 mΩ MAX
 - 3-3.INSULATION RESISTANCE: 1000MΩ Min
 - 3-4.DIELECTRIC WITHSTANDING : 300V
 - 4.ENVIRONMENTAL PERFORMANCE:
 - 4-1.OPERATING TEMPERATURE: -40°C~+105°C.
 - 5.PACKAGE SPEC: REEL
 - 6.P/N:
 - PH2005 20 M 9-2 XX 2 X X X 02
- SERIES NO: _____ HOUSING: 1-LCP
- HEIGHT: _____ COLOR: A-BLACK
- 20: 2.0mm
- MALE FEMALE: _____ PLATING: A-ALL AU G/F
- M-MALE
- ANGLE: _____ 9-90°
- ROW NO: _____ 1-G/F
- 2-DOUBLE ROW
- C-BRIGHT TIN
- PIN Q'PY: _____ TERMIPOINT: 2-SMT
- 02~80

REV.	REVISION RECORD	DATE		GENERAL TOLERANCES		SCALE:	NAME	DATE	PART.NO: PH200520M9-2XX2XXX02	DWG.NO: ENDE05	
A0	NEW RELEASE	21.01.13		LINEAR	ANGLES	1:1	Wang_jr	21.01.13			
			0.0±0.35	X'REF±6°	APPROVED	Ding_bo	21.01.13	TITLE: 排针PITCH2.00mm双排 SMT SERIES			
			UNIT: mm	X'±3°	DESIGNER	Ou_jian	21.01.13				
			SIZE: A4	X'X' ±2°	DRAWN			REV: A0	SHEET: 1/2		

The product using material and processing must conform to the "WI-PZ-142" HSF technical standard control requirements



ITEM NO:

 QTY: PCS

 N.W: KGS

 G.W: KGS

 SIZE: 338*338*260mm

Carton B surface
纸箱规格: K=K 338*338*260mm

- NOTE:
- 1、成品组装完成并OQ检查完后、将其装入承载带内、同时用封装胶带冷封
 - 2、检查REEL 板状卷带是否松动, 如有松动需要重新贴紧
 - 3、全检OK后、将REEL 装盘入PE袋并放入一包干燥剂
 - 4、每箱最上面一盘必须贴上料号以及数量标签
 - 5、产品放入REEL 时前带和后带各空格26PCS 不放产品
 - 6、每盘装产品700 PCS, 每箱装9盘, 每一外箱装产品700*9=6300 PCS

REV.	REVISION RECORD	DATE		GENERAL TOLERANCES		SCALE: 1:1	NAME	DATE	PART.NO:	DWG.NO:	 WanLian Technology Co., Ltd	
A0	NEW RELEASE	21.01.13		LINEAR	ANGLES	APPROVED	Wang_jr	21.01.13	PH200520M9-2XX2XXX02	ENDE05		
			0.0±0.35	X'REF±6'	DESIGNER	Ding_bo	21.01.13	TITLE: 排针PITCH2.00mm双排 SMT SERIES		REV: A0		SHEET: 2/2
			UNIT: mm	X'±3'	DRAWN	Ou_jian	21.01.13					
			SIZE: A4	0.000±0.10	X'X' ±2'							