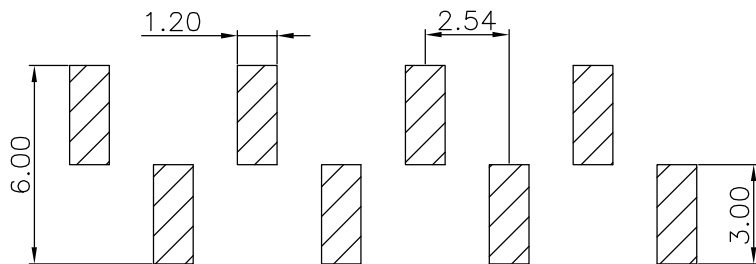
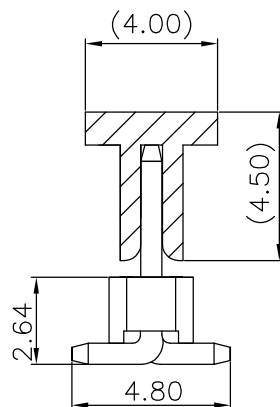
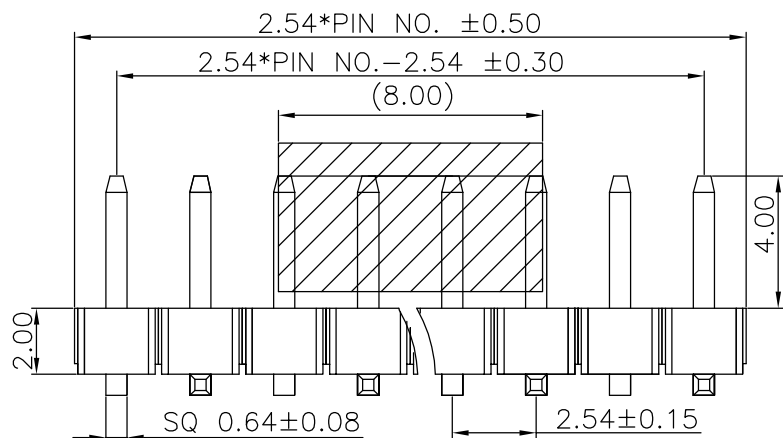
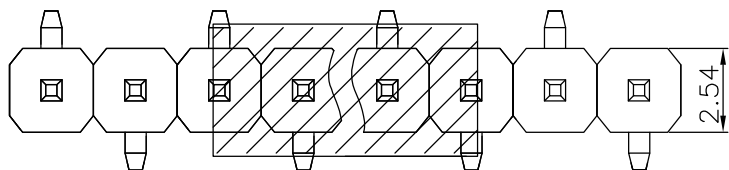


The product using material and processing must conform to the "WI-PZ-001"HSF technical standard control requirements

RoHS



Recommended PCB Layout
TOLERANCE:±0.05

NOTE:

- 1.MATERIAL SPECIFICATION:
 - 1-1.HOUSING: PA9T,UL94V-0
 - 1-2.CONTACTS: BRASS
- 2.PLATING SPECIFICATION:
 - 2-1.CONTACTS: GOLD FLASH OVER NICKEL
- 3.ELECTRICAL PERFORMANCE:
 - 3-1.CURRENT RATING: 3A
 - 3-2.CONTACT RESISTANCE: 30 mΩ MAX
 - 3-3.INSULATION RESISTANCE: 1000MΩ Min
 - 3-4.DIELECTRIC WITHSTANDING : 500V
- 4.ENVIRONMENTAL PERFORMANCE:
 - 4-1.OPERATING TEMPERATURE: -40°C~+105°C.
- 5.PACKAGE SPEC: REEL
- 6.P/N:

PH2541 20 M 0-1 XX 2 X X X 01

SERIES NO: _____ HOUSING: 1-PA9T

HEIGHT: _____ COLOR: A-BLACK

20: 2.0mm

MALE FEMALE: _____ PLATING: A-ALL AU G/F

M-MALE

ANGLE: _____

0-180°

ROW NO: _____

1-SINGLE ROW

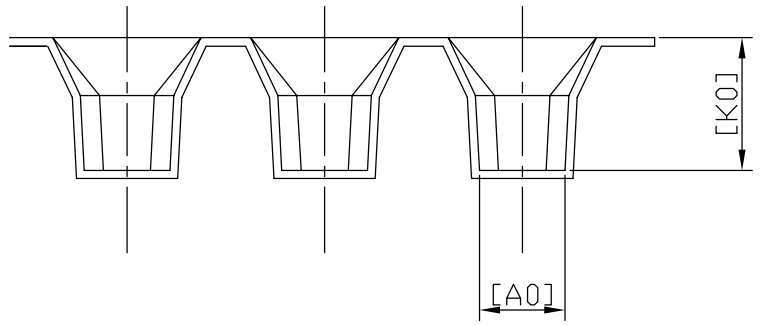
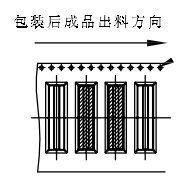
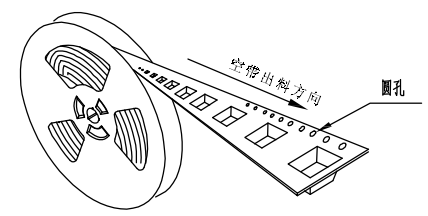
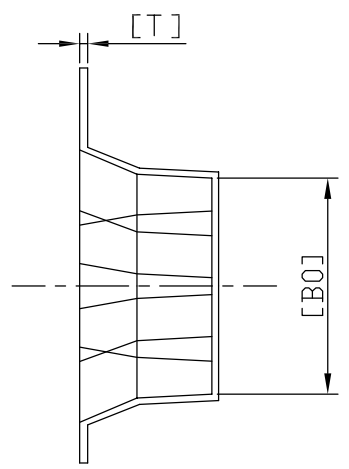
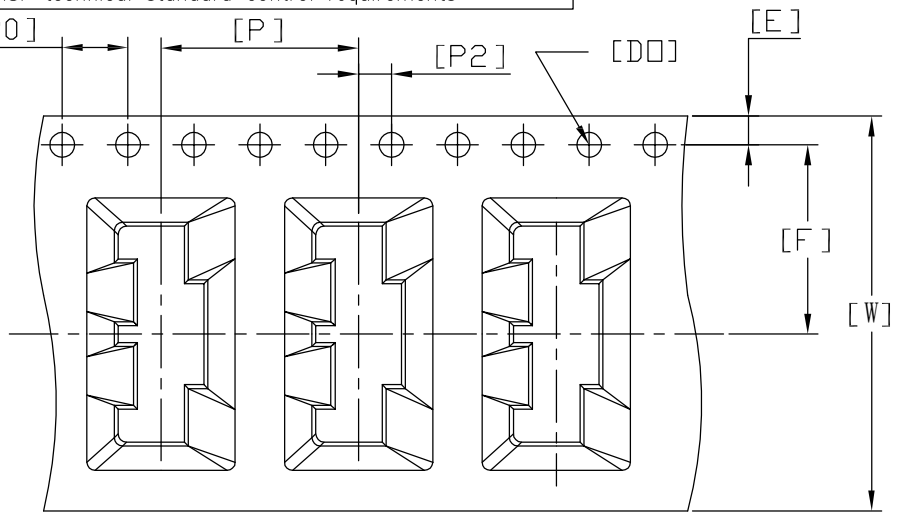
PIN Q' PY: _____ TERMIPOINT: 2-SMT

02~20

REV.	REVISION RECORD	DATE		GENERAL TOLERANCES		SCALE: 1:1	NAME	DATE	PART.NO: PH254120M0-1XX2XXX01	DWG.NO: ENDE05	 WanLian Technology Co., Ltd	
A0	NEW RELEASE	21.10.15		LINEAR	ANGLES	APPROVED	Wang_jr	21.10.15				
			UNIT:mm	0.00±0.25	X'±3°	DESIGNER	Gao_Han	21.10.15	TITLE: Pitch 2.54mm 180°单排 SMT+CAP 单塑排针	REV: A0		SHEET: 1/2
			SIZE: A4	0.000±0.10	X'X' ±2°	DRAWN	Gao_Han	21.10.15				

The product using material and processing must conform to the "WI-PZ-001" HSF technical standard control requirements

RoHS



- Notes:
- 1.Packing Conforms EIA-481-B Standards.
 - 2.10 sprocket hole pitch cumulative
 - 3.Carrier camber is within 1mm in250mm.
 - 4.Material:BLACK Polystyrene.
 - 5.Packing length per 13"Reel:9.4Meters.
 - 6.Component load per 13"Reel:700+36PCS

W	24.00 ^{+0.30} _{-0.30}	T	0.50±0.05	Po	4.00±0.10	Ao	5.20±0.10	A1	
		F	11.50±0.10	P2	2.00±0.10	Bo	13.10±0.10	B1	
E	1.75±0.10	P	12.00±0.10	Do	∅1.50 ± ^{0.10} ₀	Ko	8.04±0.10	K1	

REV.	REVISION RECORD	DATE		GENERAL TOLERANCES		SCALE:	NAME	DATE	PART.NO:	DWG.NO:	 WanLian Technology Co., Ltd
A0	NEW RELEASE	21.10.15		LINEAR	ANGLES	1:1	Wang_jr	21.10.15	PH254120M0-1XX2XXX01	ENDE05	
				0.0±0.35	X'REF±6°	APPROVED	Gao_Han	21.10.15			
				0.00±0.25	X'±3°	DESIGNER	Gao_Han	21.10.15	TITLE:		
			UNIT:mm	X'X' ±2°	DRAWN	Gao_Han	21.10.15	Pitch 2.54mm 180°单排 SMT+CAP 单塑排针 5P 包规图		REV: A0	SHEET: 2/2
			SIZE: A4								