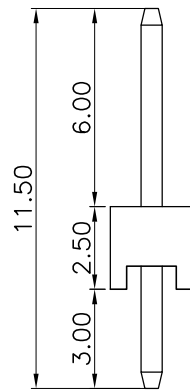
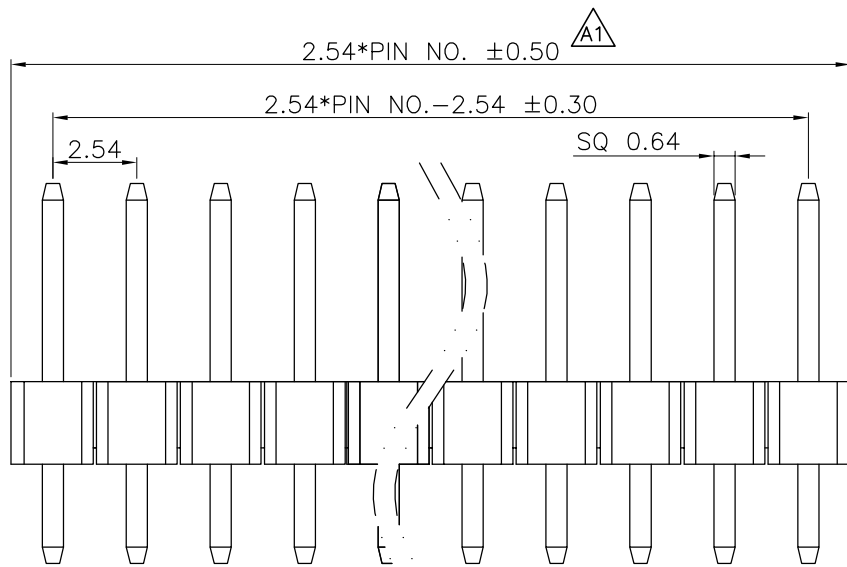
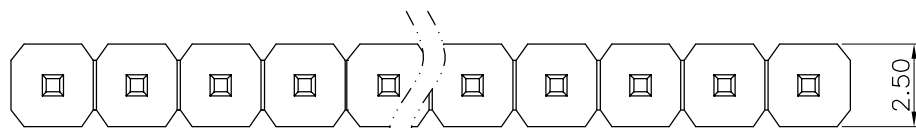


The product using material and processing must conform to the "WI-PZ-001"HSF technical standard control requirements

RoHS

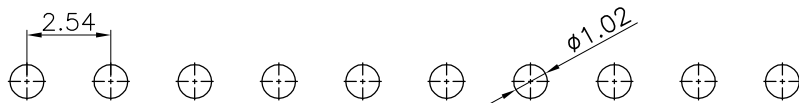


NOTE:

- 1.MATERIAL SPECIFICATION:
 - 1-1.HOUSING: PA6T,UL94V-0
 - 1-2.CONTACTS: BRASS
- 2.PLATING SPECIFICATION:
 - 2-1.CONTACTS: GOLD FLASH OVER NICKEL
- 3.ELECTRICAL PERFORMANCE:
 - 3-1.CURRENT RATING: 3A
 - 3-2.CONTACT RESISTANCE: 30 mΩ MAX
 - 3-3.INSULATION RESISTANCE: 1000MΩ Min
 - 3-4.DIELECTRIC WITHSTANDING : 500V
- 4.ENVIRONMENTAL PERFORMANCE:
 - 4-1.OPERATING TEMPERATURE: -40°C~+105°C.
- 5.PACKAGE SPEC: PE BAG
- 6.P/N:

PH2541 25 M 0-1 XX 1 X X X 23

SERIES NO: PH2541 25 M 0-1 XX 1 X X X 23
 HEIGHT: 25: 2.5mm
 MALE FEMALE: M-MALE
 ANGLE: 0-180~
 ROW NO: 1-SINGLE ROW
 PIN Q'PY: 01~40
 HOUSING: 1-PA6T
 COLOR: A-BLACK
 PLATING: A-ALL AU G/F
 TERMIPOINT: 1-DIP

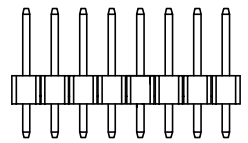


PCB Layout
TOLERANCE:±0.05

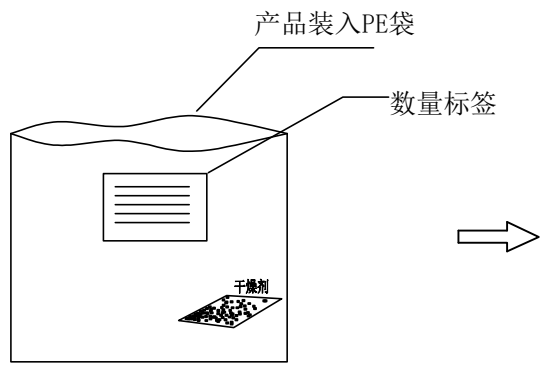
REV.	REVISION RECORD	DATE		GENERAL TOLERANCES		SCALE: 1:1	NAME	DATE	PART.NO: PH254125M0-1XX1XXX23	DWG.NO: ENDE05	
A0	NEW RELEASE	21.10.15		LINEAR	ANGLES	APPROVED					
A1	CHANGE TOLERANCE	23.11.14	UNIT:mm	0.00±0.25	X'±3'	DESIGNER	TITLE: Pitch 2.54mm 180° 单排 DIP 单塑排针 L=11.5MM		REV: A1	SHEET: 1/2	
			SIZE: A4	0.000±0.10	X'X' ±2'	DRAWN					

The product using material and processing must conform to the "WI-PZ-001"HSF technical standard control requirements

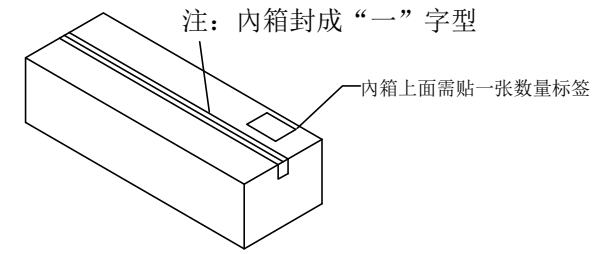
RoHS



产品

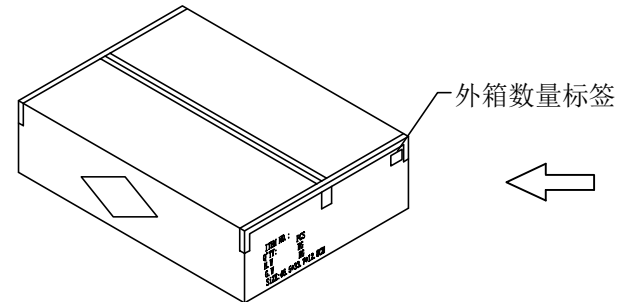


产品装入PE袋、内放一包干燥剂、，
如图所示；用封口机封口，外贴一
张数量标签，

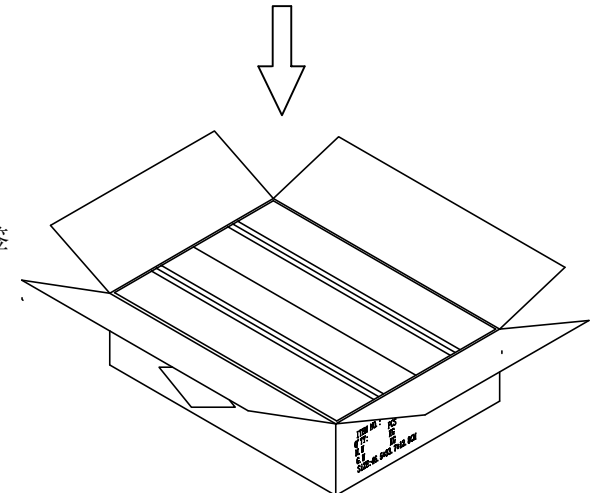


将PE袋装好的产品放入内箱中，每箱10袋

双排		单排	
PIN数	PCS/袋	PIN数	PCS/袋
1-----5	500	1-----5	2000
6-----10	300	6-----10	1000
11-----15	200	11-----15	500
16-----20	150	16-----20	300
21-----25	100	21-----25	200
26-----30	100	26-----30	100
31-----35	50	31-----35	100
36-----40	50	36-----40	50



外箱封口“工”字型，



将封好的内箱装入外箱中，1外箱装2内箱

备注：
1：包装数量：10袋/内箱；
20袋/外箱；
2：纸箱规格：内箱：45.0*16.0*11.5CM
外箱：46.5*33.7*12.8CM

REV.	REVISION RECORD	DATE		GENERAL TOLERANCES		SCALE: 1:1	NAME	DATE	PART.NO:	DWG.NO:	 WanLian Technology Co., Ltd
A0	NEW RELEASE	21.10.15		LINEAR	ANGLES	APPROVED			PH254125M0-1XX1XXX23	ENDE05	
A1	CHANGE TOLERANCE	23.11.14	0.0±0.35	X'REF±6°	DESIGNER			TITLE:			
			UNIT:mm	0.00±0.25	X'±3°	DRAWN		Pitch 2.54mm 180° 单排 DIP 单塑排针 L=11.5MM			
			SIZE: A4	0.000±0.10	X'X' ±2°					REV: A1	SHEET: 2/2