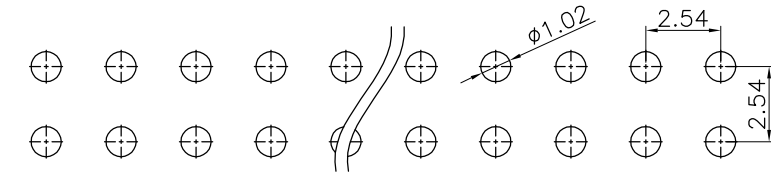
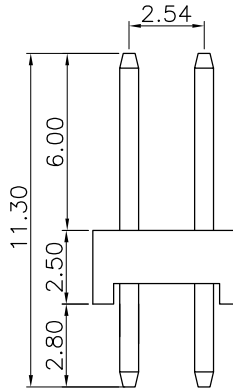
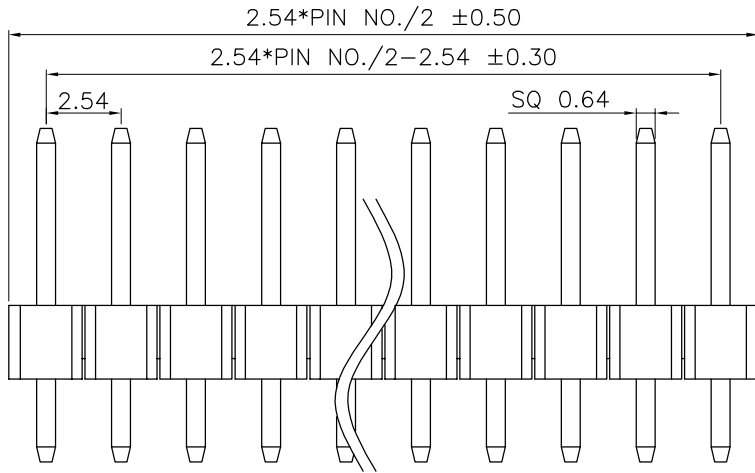
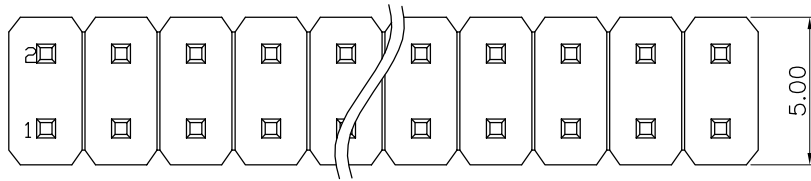


The product using material and processing must conform to the "WI-PZ-001"HSF technical standard control requirements

RoHS+HF



Recommended PCB Layout  
TOLERANCE:±0.05

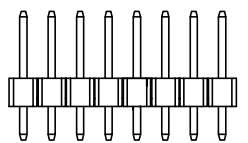
NOTE:

- 1.MATERIAL SPECIFICATION:
    - 1-1.HOUSING: PA6T,UL94V-0
    - 1-2.CONTACTS: BRASS
  - 2.PLATING SPECIFICATION:
    - 2-1.CONTACTS: GOLD FLASH OVER NICKEL
  - 3.ELECTRICAL PERFORMANCE:
    - 3-1.CURRENT RATING: 3A
    - 3-2.CONTACT RESISTANCE: 30 mΩ MAX
    - 3-3.INSULATION RESISTANCE: 1000MΩ Min
    - 3-4.DIELECTRIC WITHSTANDING : 500V
  - 4.ENVIRONMENTAL PERFORMANCE:
    - 4-1.OPERATING TEMPERATURE: -40°C~+105°C.
  - 5.PACKAGE SPEC: PE BAG
  - 6.P/N:
    - PH2541 25 M 0-2 XX 1 X X X 02
- SERIES NO: \_\_\_\_\_ HOUSING:  
 HEIGHT: \_\_\_\_\_ 1-PA6T  
 25: 2.5mm 2-PA6T+HF  
 MALE FEMALE: \_\_\_\_\_ COLOR:  
 M-MALE A-BLACK  
 ANGLE: \_\_\_\_\_ PLATING:  
 0-180° A-ALL AU G/F  
 ROW NO: \_\_\_\_\_ TERMPOINT:  
 2-DOUBLE ROW 1-DIP  
 PIN Q' PY: \_\_\_\_\_  
 02~80

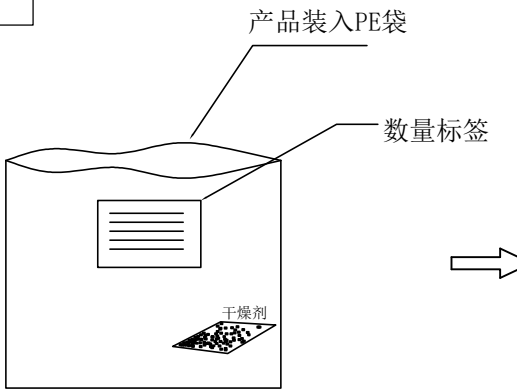
REV.	REVISION RECORD	DATE		GENERAL TOLERANCES		SCALE: 1:1	NAME	DATE	PART.NO: PH254125M0-2XX1XXX02	DWG.NO: ENDE05	
A0	NEW RELEASE	21.10.15		LINEAR	ANGLES	APPROVED	Wang_jr	21.10.15			
			0.0±0.35	X'REF±6°	DESIGNER	Gao_Han	21.10.15	TITLE: Pitch 2.54mm 180° 双排 DIP 单塑排针 L=11.3MM			
			UNIT:mm	X'±3°	DRAWN	Gao_Han	21.10.15				
			SIZE: A4	0.000±0.10	X'X' ±2°				REV: A0	SHEET: 1/2	

The product using material and processing must conform to the "WI-PZ-001"HSF technical standard control requirements

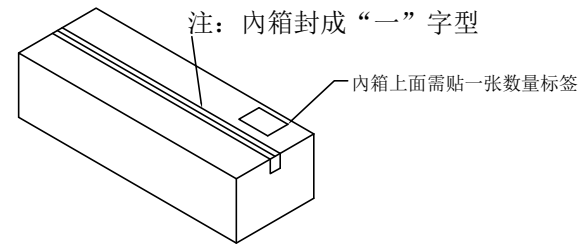
RoHS+HF



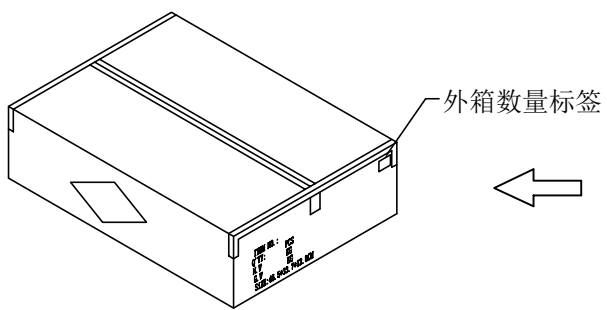
产品



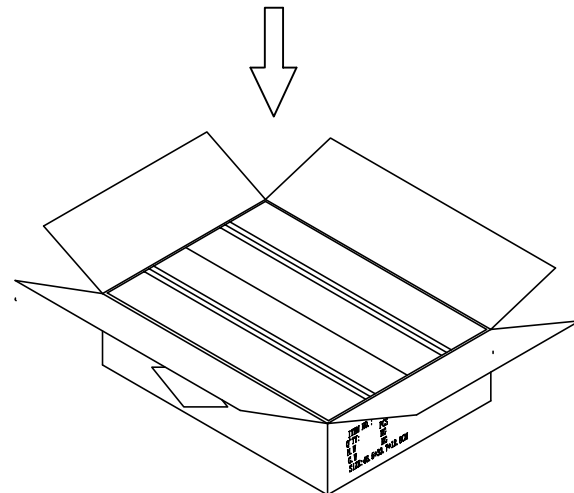
产品装入PE袋、内放一包干燥剂、，  
如图所示；用封口机封口，外贴一  
张数量标签，



将PE袋装好的产品放入内箱中，每箱10袋



外箱封口“工”字型，  
备注：  
1: 包装数量：10袋/内箱；  
20袋/外箱；  
2: 纸箱规格：内箱：45.0\*16.0\*11.5CM  
外箱：46.5\*33.7\*12.8CM



将封好的内箱装入外箱中，1外箱装2内箱

双排		单排	
PIN数	PCS/袋	PIN数	PCS/袋
1-----5	500	1-----5	2000
6-----10	300	6-----10	1000
11-----15	200	11-----15	500
16-----20	150	16-----20	300
21-----25	100	21-----25	200
26-----30	100	26-----30	100
31-----35	50	31-----35	100
36-----40	50	36-----40	50

REV.	REVISION RECORD	DATE		GENERAL TOLERANCES		SCALE: 1:1	NAME	DATE	PART.NO: PH254125M0-2XX1XXX02	DWG.NO: ENDE05	 WanLian Technology Co., Ltd
A0	NEW RELEASE	21.10.15		LINEAR	ANGLES	APPROVED	Wang_jr	21.10.15			
				0.0±0.35	X'REF±6'	DESIGNER	Gao_Han	21.10.15	TITLE: 2.54排针 180° 常规包装规范		
				UNIT:mm	X'±3'	DRAWN	Gao_Han	21.10.15			
			SIZE: A4	0.000±0.10	X'X' ±2'				REV: A0	SHEET: 2/2	