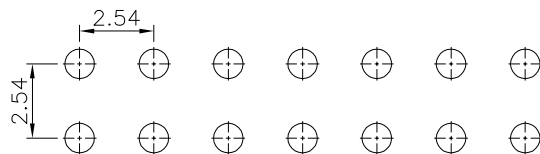
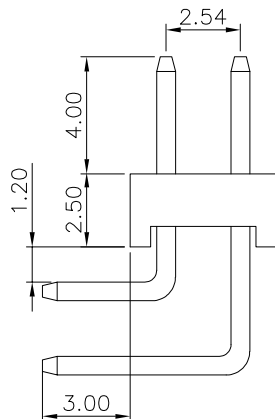
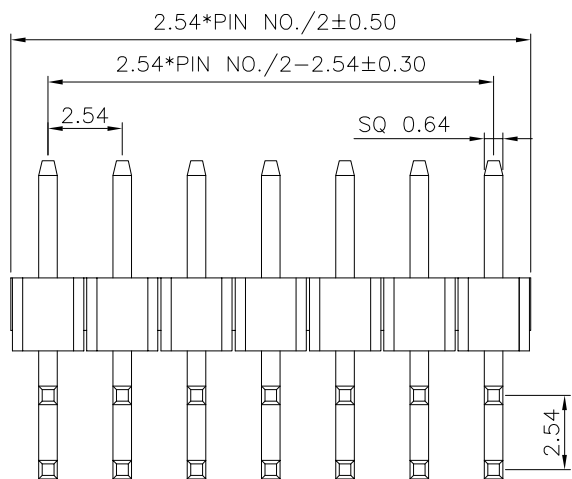
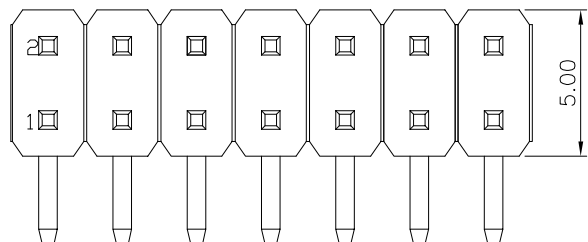


The product using material and processing must conform to the "WI-PZ-001"HSF technical standard control requirements

RoHS



RECOMMENDED P.C.B LAYOUT  
P.C.B TOLERANCE:±0.05

NOTE:

- 1.MATERIAL SPECIFICATION:  
1-1.HOUSING: PA6T,UL94V-0  
1-2.CONTACTS: BRASS
- 2.PLATING SPECIFICATION:  
2-1.CONTACTS:  
GOLD FLASH OVER NICKEL
- 3.ELECTRICAL PERFORMANCE:  
3-1.CURRENT RATING: 3A  
3-2.CONTACT RESISTANCE: 30 mΩ MAX  
3-3.INSULATION RESISTANCE: 1000MΩ Min  
3-4.DIELECTRIC WITHSTANDING : 500V
- 4.ENVIRONMENTAL PERFORMANCE:  
4-1.OPERATING TEMPERATURE: -40°C~+105°C.
- 5.PACKAGE SPEC: PE BAG
- 6.P/N:

PH2541 25 M 9-2 XX 1 X X X 07  
SERIES NO: \_\_\_\_\_ HOUSING: 1-PA6T  
HEIGHT: \_\_\_\_\_ COLOR: A-BLACK  
25: 2.5mm M-MALE PLATING: A-ALL AU G/F  
MALE FEMALE: \_\_\_\_\_  
ANGLE: \_\_\_\_\_ 9-90°  
ROW NO: \_\_\_\_\_ 2-DOUBLE ROW  
PIN Q'PY: \_\_\_\_\_ TERMIPOINT: 1-DIP  
02~80

REV.	REVISION RECORD	DATE		GENERAL TOLERANCES		SCALE: 1:1	NAME	DATE	PART.NO: PH254125M9-2XX1XXX07	DWG.NO: ENDE05	 WanLian Technology Co., Ltd	
A0	NEW RELEASE	21.10.15		LINEAR	ANGLES	APPROVED	Wang_jr	21.10.15				
			UNIT:mm	0.00±0.25	X'±3°	DESIGNER	Gao_Han	21.10.15	TITLE: Pitch 2.54mm 180° 双排 DIP 双塑 排针L=17.0mm	REV: A0		SHEET: 1/1
			SIZE: A4	0.000±0.10	X'X' ±2°	DRAWN	Gao_Han	21.10.15				