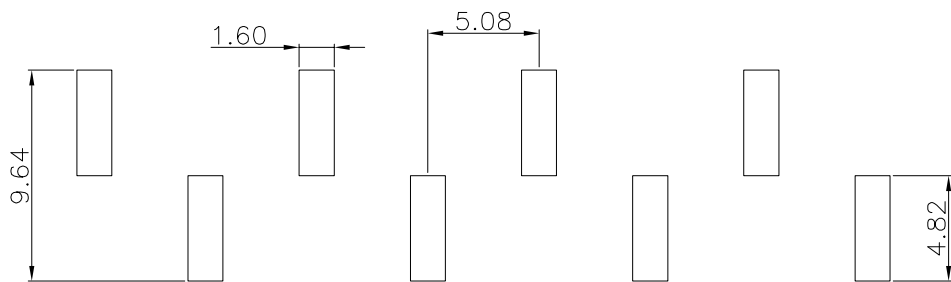
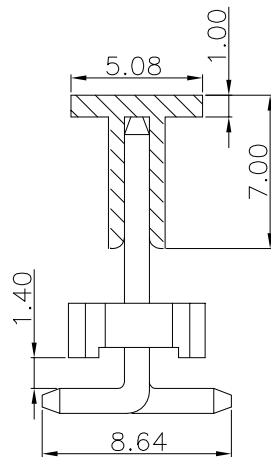
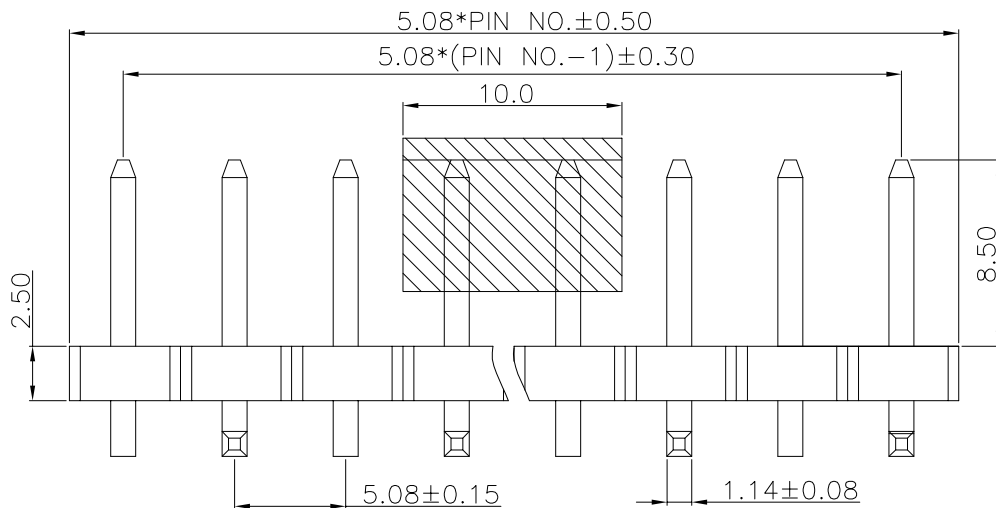
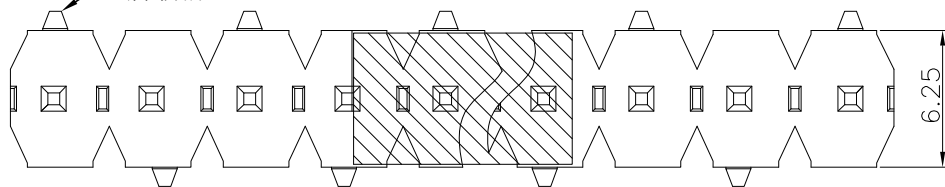


The product using material and processing must conform to the "WI-PZ-001" HSF technical standard control requirements

RoHS+HF

Circuit 1
脚朝前



NOTE:
 1.MATERIAL SPECIFICATION:
 1-1.HOUSING: UL94V-0
 1-2.CONTACTS: BRASS
 2.PLATING SPECIFICATION:
 2-1.CONTACTS:
 TIN/GOLD FLASH PLATED OVER ALL.
 3.MECHANICAL PERFORMANCE:
 3-1.RETENTIVITY FORCE: 0.8kgf/PIN MIN
 4.ELECTRICAL PERFORMANCE:
 4-1.CURRENT RATING: 7A
 RATED VOLTAGE : 250V AC/DC
 4-2.CONTACT RESISTANCE: 20 mΩ MAX
 4-3.INSULATION RESISTANCE: 1000MΩ Min
 4-4.DIELECTRIC WITHSTANDING : 800V
 5.ENVIRONMENTAL PERFORMANCE:
 5-1.OPERATING TEMPERATURE: -40°C~+105°C.
 6.PACKAGE SPEC: PE BAG
 7.P/N:

PH5081 25 M 0-1 XX 2 X X X 01
 SERIES NO: _____ HOUSING: 1-LCP
 HEIGHT: 25: 2.5mm
 MALE FEMALE: _____ COLOR: A-BLACK
 M-MALE
 ANGLE: 0-180° PLATING: A-ALL AU G/F D-MATTE TIN
 ROW NO: 1-SINGLE ROW
 PIN Q'PY: 02~40 TERMIPOINT: 2-SMT

REV.	REVISION RECORD	DATE		GENERAL TOLERANCES		SCALE: 1:1	NAME	DATE	PART.NO: PH508125M0-1XX2XXX01	DWG.NO: ENDE05	 WanLian Technology Co., Ltd	
A0	NEW RELEASE	21.10.15		LINEAR	ANGLES	APPROVED	Wang_jr	21.10.15				
			UNIT: mm	0.00±0.25	X'±3'	DESIGNER	Gao_Han	21.10.15	TITLE: Pitch 5.08mm 180°单排排针 CAP+SMT H2.5 PC8.64	REV: A0		SHEET: 1/1
			SIZE: A4	0.000±0.10	X'X' ±2'	DRAWN	Gao_Han	21.10.15				