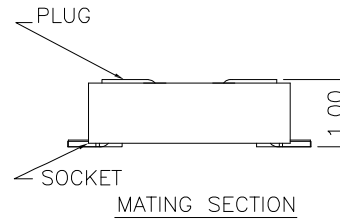
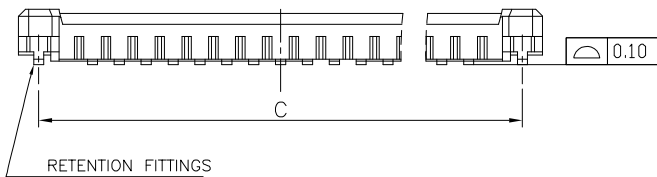
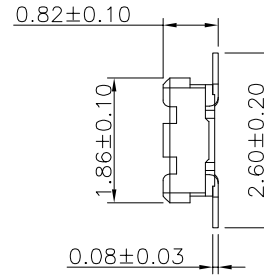
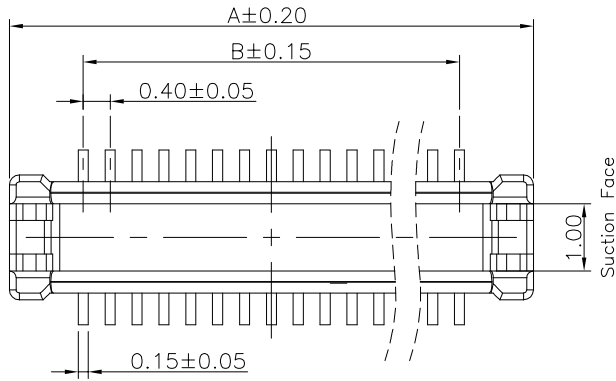


The product using material and processing must conform to the "WI-PZ-001" HSF technical standard control requirements

RoHS+HF



- NOTE:
- MATERIAL SPECIFICATION:
    - HOUSING: LCP, UL94V-0
    - CONTACTS: PHOSPHOR BRONZE
    - SOLDER TABS: PHOSPHOR BRONZE
  - PLATING SPECIFICATION:
    - CONTACTS: TIN/GOLD FLASH PLATED OVER ALL.
    - SOLDER TABS: TIN/GOLD FLASH PLATED OVER ALL.
  - ELECTRICAL PERFORMANCE:
    - CURRENT RATING: 0.3A
    - CONTACT RESISTANCE: 90mΩ MAX
    - INSULATION RESISTANCE: 100MΩ Min
    - DIELECTRIC WITHSTANDING: 150V
  - ENVIRONMENTAL PERFORMANCE:
    - OPERATING TEMPERATURE: -55°C~+85°C.
  - PACKAGE SPEC: REEL
  - P/N:

SERIES NO: B0401 08 M 0-2 XX 2 X X 01

HEIGHT: 08-0.80mm

MALE FEMALE: M-MALE

ANGLE: 0-180°

ROW NO: 2-DOUBLE ROW

PIN Q'PY: 10~60pin

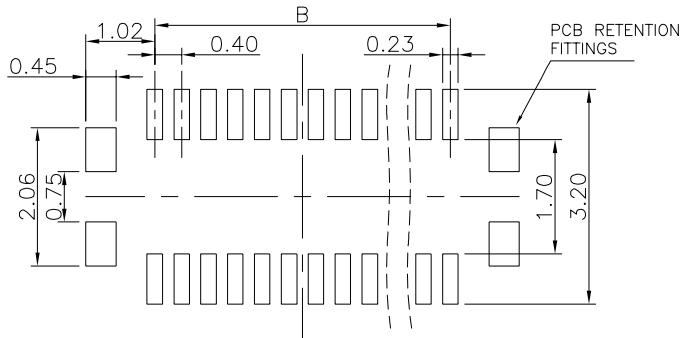
COLOR: A-BLACK S-NATURE

PLATING: A-ALL AU G/F C-BRIGHE TIN D-MATTE Tin 5-G/F 15u"

TERMPOINT: 2-SMT

Ordering Information & Dimensions

NUMBER OF CONTACTS	A	B	C
60	13.80	11.60	13.20
50	11.80	9.60	11.20
40	9.80	7.60	9.20
34	8.60	6.40	8.00
30	7.80	5.60	7.20
24	6.60	4.40	6.00
20	5.80	3.60	5.20
10	3.80	1.60	3.20



RECOMMENDED P.C.B LAYOUT  
TOP VIEW (COMPONENT SIDE)  
Tolerances: ±0.03

REV.	REVISION RECORD	DATE	GENERAL TOLERANCES		SCALE:	NAME	DATE	PART.NO:	DWG.NO:	
AO	NEW RELEASE	21.11.17	LINEAR	ANGLES	1:1	Wang_jr	21.11.17	B040108M0-2XX2XX01	ENDE05	
			0.0±0.35	X°REF±6°	APPROVED	Han_Gao	21.11.17	TITLE: <b>Board to Board Pitch0.4 H0.82mm公座</b>		
			0.00±0.25	X°±3°	DESIGNER	Zijun_Huang	21.11.17			
			UNIT:mm	0.000±0.10	SIZE: A4			REV: A0	SHEET: 1/2	

The product using material and processing must conform to the "WI-PZ-001"HSF technical standard control requirements

RoHS+HF

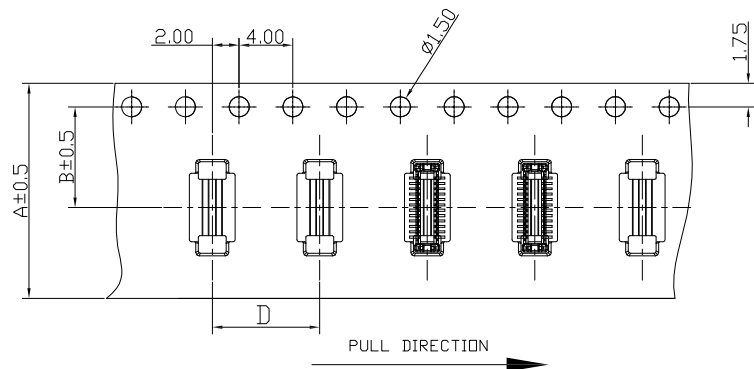
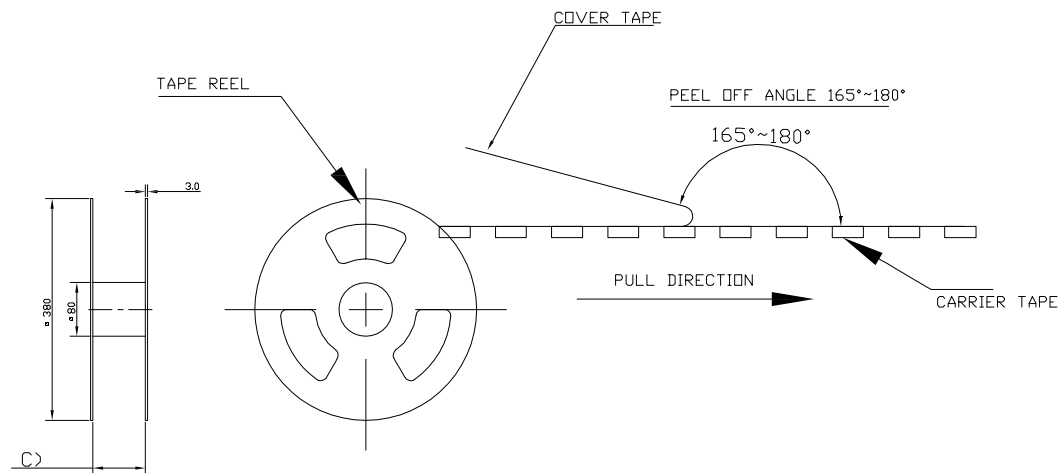


TABLE:

60	24.00	11.50	25.4	4.00	20000
50				4.00	20000
40				8.00	10000
34	16.00	7.50	17.4	4.00	20000
30					20000
24					20000
20					20000
10				4.00	20000
NUMBER OF CONTACTS	A	B	C	D	QTY/RFFL

REV.	REVISION RECORD	DATE		GENERAL TOLERANCES		SCALE:	NAME	DATE	PART.NO:	DWG.NO:	
A0	NEW RELEASE	21.11.17		LINEAR $0.0 \pm 0.35$	ANGLES $X' \text{REF} \pm 6'$	1:1	Wang_jr	21.11.17	B040108M0-2XX2XX01	ENDE05	
			UNIT:mm	$0.00 \pm 0.25$	$X' \pm 3'$	DESIGNER	Han_Gao	21.11.17	TITLE: PACKAGE SPEC		REV: A0    SHEET: 2/2
			SIZE: A4	$0.000 \pm 0.10$	$X'X' \pm 2'$	DRAWN	Zijun_Huang	21.11.17			