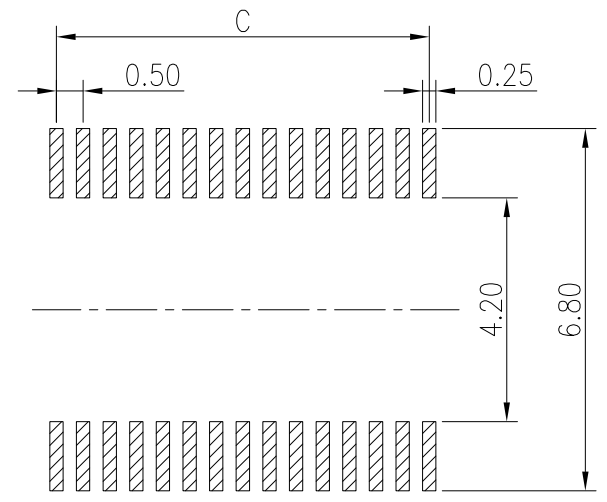
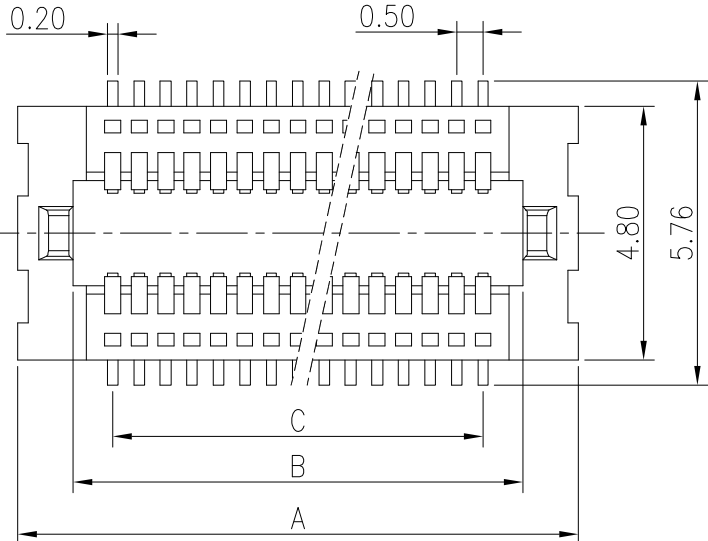
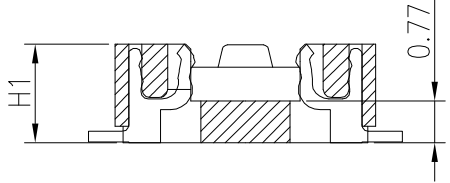
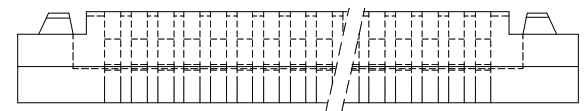


RoHS+HF

装配



RECOMMENDED PCB PATTERN DIM.
TOLERANCE : ±0.05




PIN	A	B	C	PIN	A	B	C
10	5.60	3.50	2.00	54	16.60	14.50	13.00
12	6.10	4.00	2.50	56	17.10	15.00	13.50
14	6.60	4.50	3.00	58	17.60	15.50	14.00
16	7.10	5.00	3.50	60	18.10	16.00	14.50
18	7.60	5.50	4.00	62	18.60	16.50	15.00
20	8.10	6.00	4.50	64	19.10	17.00	15.50
22	8.60	6.50	5.00	66	19.60	17.50	16.00
24	9.10	7.00	5.50	68	20.10	18.00	16.50
26	9.60	7.50	6.00	70	20.60	18.50	17.00
28	10.10	8.00	6.50	72	21.10	19.00	17.50
30	10.60	8.50	7.00	74	21.60	19.50	18.00
32	11.10	9.00	7.50	76	22.10	20.00	18.50
34	11.60	9.50	8.00	78	22.60	20.50	19.00
36	12.10	10.00	8.50	80	23.10	21.00	19.50
38	12.60	10.50	9.00				
40	13.10	11.00	9.50				
42	13.60	11.50	10.00				
44	14.10	12.00	10.50				
46	14.60	12.50	11.00				
48	15.10	13.00	11.50				
50	15.60	13.50	12.00				
52	16.10	14.00	12.50				

合高 H	SOCKET(H1)
1.50	1.35
2.00	1.85
2.50	2.35

Specifications:
 Rated Voltage : 50V AC
 Rated Current : 0.5A AC,DC
 Withstand Voltage : 200V AC/minute
 Contact Resistance : 40mΩ(MAX.)
 Insulation Resistance : 500MΩ(MIN.)
 Temperature Range : -40°C~+105°C
 Base:LCP UL94V-0
 Pin Terminal: PHOSPHOR BRONZE/Gold flash
 OVERALL 50~100U" NICKEL UNDER PLATED.
 The product using material and processing must conform to the *WI-PZ-142* HSF technical standard control requirements

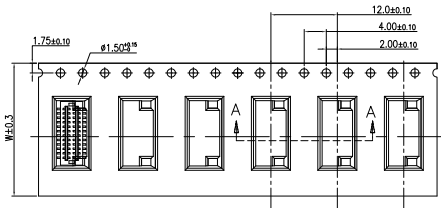
P/N: B0501 XX F 0-2 XX 2 X X 01
 SERIES NO:
 OR HEIGHT:
 15--1.50H
 20--2.00H
 25--2.50H
 MALE FEMALE:
 F--FEMALE
 ANGLE:
 0~180°
 ROW NO:
 2--DOUBLE ROW
 COLOR:
 A-BLACK
 K-WHITE
 S-NATURE
 PLATING:
 A-ALL AU G/F
 C-BRIGHE TIN
 D-MATTE Tin
 TERMIPOINT:
 2-SMT
 PIN Q'PY:
 10~80pin

REV.	REVISION RECORD	DATE	GENERAL TOLERANCES	SCALE:	NAME	DATE	PART. NO:	DWG. NO:
A0	NEW RELEASE	21.03.10	LINEAR	1:1	Wang_jr	21.03.10	B0501XXF0-2XX2XX01	ENDE05
			ANGLES	APPROVED	Ding_bo	21.03.10	TITLE:	 WanLian Teconology Co., Ltd REV: A0 SHEET: 1/2
			0.0±0.35	DESIGNER	HXY	21.03.10	Board to Board Pitch0.5 SMT FEMALE	
			0.00±0.25	DRAWN				

RoHS+HF

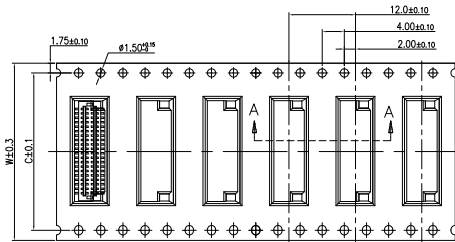
- NOTE:
- 1.10 Sprocket hole pitch cumulative tolerance ± 0.20 .
 - 2.Carrier camber is within 1mm in 100mm.
 - 3.Material: black conductive polystyrene alloy.
 - 4.Material Thickness: 0.3 ± 0.05 mm.
 - 5.All dimensions meet EIA-481-B requirements.
 - 6.5000pcs Pef Reel.
 - 7.For tape width(dim W)16 and 24mm pilot holes are provided on one sides.
For tape width(dim W)32, 44 and 56mm pilot holes are provided on both sides.

Tape width 16 and 24 mm

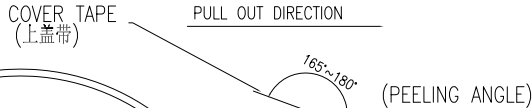


PULL OUT DIRECTION

Tape width 32 and 56 mm

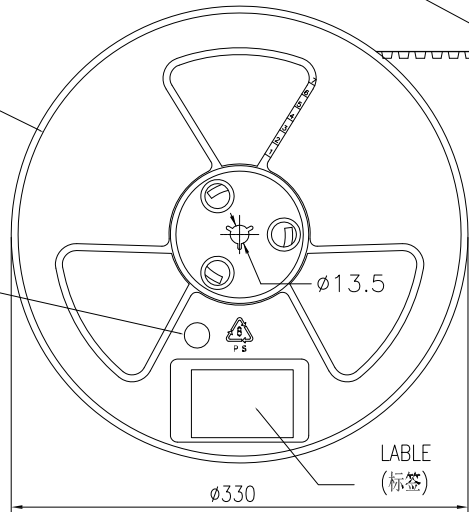


PULL OUT DIRECTION



REEL (胶盘)

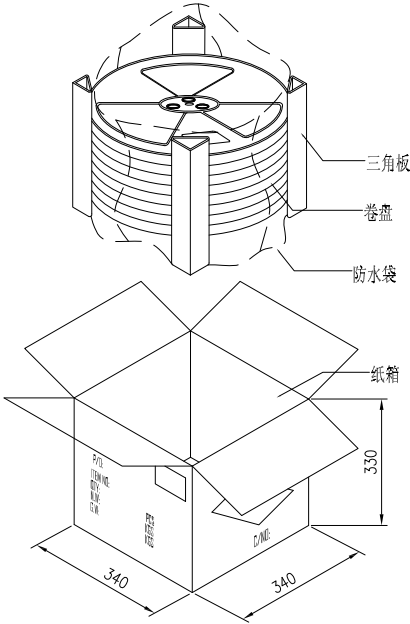
GP LABEL (环保标签) (1PCS)




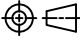
SAFE TAPE (安全带L=1750mm Ref)

SCALE 1:4

W14



PIN NO.	W	C	PCS /REEL	REEL/CARTON	SUM(PCS)
4PIN~14PIN	16	-	1000	15	15000
16PIN~34PIN	24	-	1000	10	10000
36Pin~44PIN	32	28.4	1000	8	8000
46Pin~740PIN	44	40.4	1000	6	6000

REV.	REVISION RECORD	DATE	GENERAL TOLERANCES		SCALE:	NAME	DATE	PART. NO:	DWG. NO:	 WanLian Teconology Co., Ltd	
A0	NEW RELEASE	21. 03. 10		LINEAR	1:1	APPROVED	Wang_jr	21. 03. 10	ENDE05		
				ANGLES		DESIGNER	Ding_bo	21. 03. 10			
			UNIT: mm	0.00±0.25	X° ±3°	DRAWN	HXY	21. 03. 10	TITLE: BQARD TO BQARD EMBOSSED TAPE PACKING		REV: A0
			SIZE: A4	0.000±0.10	X° X'±2°						