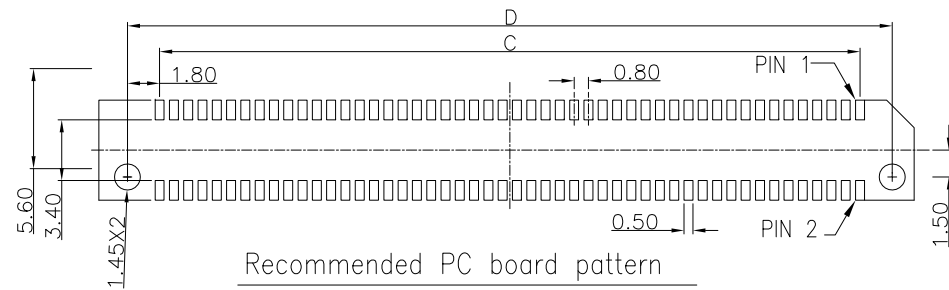
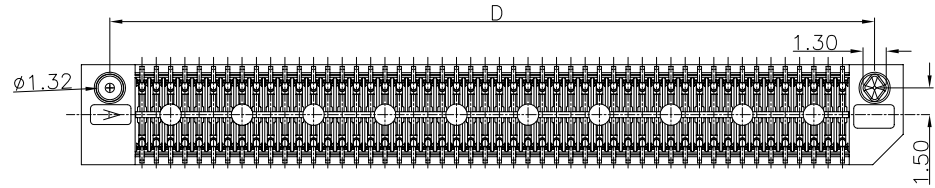
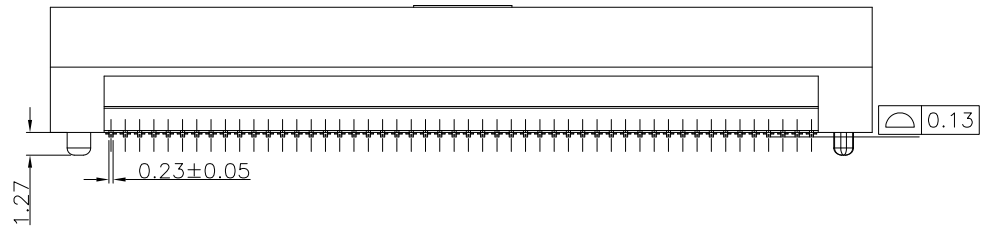
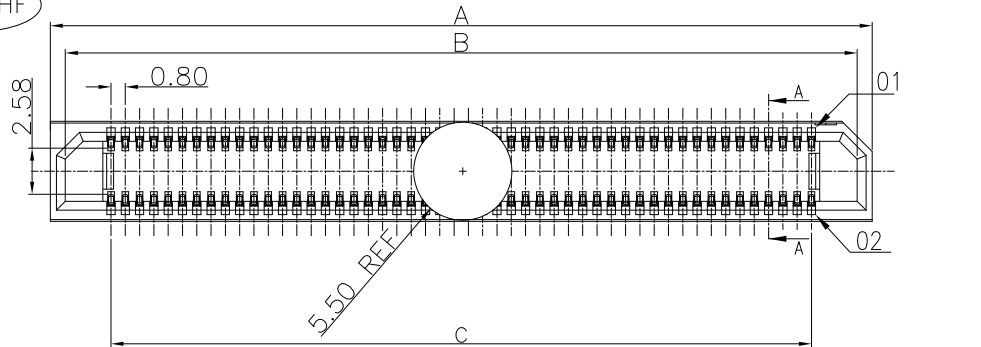
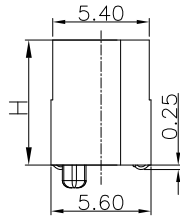
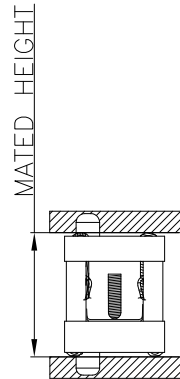
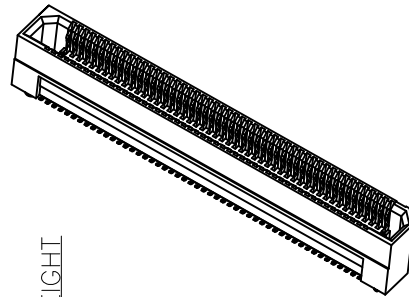


The product using material and processing must conform to the "WI-PZ-142"HSF technical standard control requirements

RoHS+HF



Recommended PC board pattern
(TOP VIEW)



HEIGHT	H
5.00	5.10
7.00	7.00
9.00	9.00

ERF8 LEAD STYLE	MATED HEIGHT ERM8 LEAD STYLE			
	2.00	5.00	8.00	9.00
5.00	7.00	10.00	13.00	14.00
7.00	9.00	12.00	15.00	16.00
9.00	11.00	14.00	17.00	18.00

NOTE:

- 1.MATERIAL SPECIFICATION:
 - 1-1.HOUSING: LCP,UL94V-0,BLACK
 - 1-2.CONTACTS: PHOSPHOR BRONZE
- 2.PLATING SPECIFICATION:
 - 2-2.CONTACTS: HALF PLATED GOLD FOG TIN
- 3.MECHANICAL PERFORMANCE:
 - 3-1.DURABILITY: 50 CYCLES.
- 4.ELECTRICAL PERFORMANCE:
 - 4-1.CURRENT RATING: 1.0A
 - 4-2.VOLTAGE RATING: 300V
 - 4-3.CONTACT RESISTANCE: 50mΩ MAX
 - 4-4.INSULATION RESISTANCE: 100MΩ MIN
 - 4-5.DIELECTRIC WITHSTANDING VOLTAGE: 500V
- 5.ENVIRONMENTAL PERFORMANCE:
 - 5-1.OPERATING TEMPERATURE: -55℃~125℃.
 - 5-2.OPERATING HUMIDITY RANGE: 90% TO 95%.
- 6.PACKAGE SPEC:REEL
- 7.P/N:

B0805 XX F 0-2 XX 2 X X 01

SERIES NO: _____ PLATING:
 A-ALL AU G/F
 1-G/F
 4-AU 10U"

HEIGHT: _____ COLOR:
 70-7.0H 90-9.0H
 50-5.0H
 A-BLACK
 F-FEMALE S-NATURE

ANGLE: _____ TERMPPOINT:
 0-180° 2-SMT

ROW NO: _____ PIN Q'PY:
 2-DOUBLE ROW 10~200

Circuit	Dimensions(mm)			
	A	B	C	D
10	10.00	8.32	3.20	6.80
20	14.00	12.32	7.20	10.80
22	14.80	13.12	8.00	11.60
24	15.60	13.92	8.80	12.40
26	16.40	14.72	9.60	13.20
30	18.00	16.32	11.20	14.80
40	22.00	20.32	15.20	18.80
50	26.00	24.32	19.20	22.80
60	30.00	28.32	23.20	26.80
80	38.00	36.32	31.20	34.80
100	46.00	44.32	39.20	42.80
120	54.00	52.32	47.20	50.80
140	62.00	60.32	55.20	58.80
150	66.00	64.32	59.20	62.80
200	86.00	84.32	79.20	82.00

REV.	REVISION RECORD	DATE	GENERAL TOLERANCES	SCALE:	NAME	DATE	PART.NO:	DWG.NO:
A0	NEW RELEASE	21.01.13	LINEAR 0.0±0.35	1:1	Wang_jr	21.01.13	B0805XXF0-2XX2XX01	ENDE05
			ANGLES X°REF±6°					
			UNIT:mm 0.00±0.25		DESIGNER Wang_jr	21.01.13	TITLE: ERF8 0.8 PITCH BTB SOCKET	
			SIZE: A4 0.000±0.10		DRAWN Wang_jr	21.01.13	(高速传输20G)	

WanLian Technology Co., Ltd

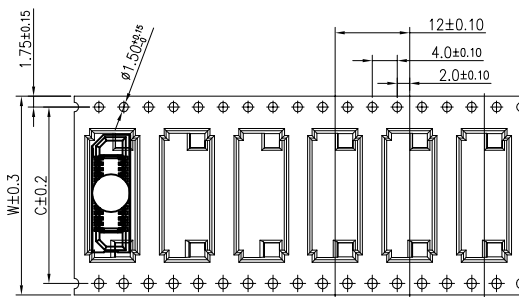
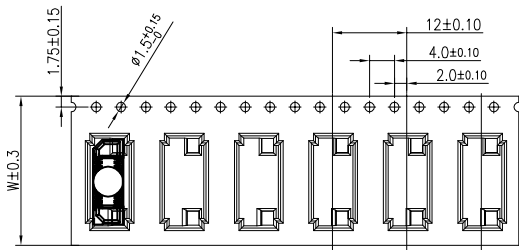
REV: A0 SHEET: 1/4

The product using material and processing must conform to the "WI-PZ-142"HSF technical standard control requirements

RoHS+HF

Tape width 16 and 24 mm

Tape width 32 and 88 mm



NOTE:

- 1.10 Sprocket hole pitch cumulative tolerance ± 0.20 .
2. Carrier camber is within 1mm in 100mm.
3. Material: white conductive polystyrene alloy.
4. Material Thickness: 0.35 ± 0.05 mm.
5. For tape width(dim W)16 and 24mm pilot holes are provided on one sides.
For tape width(dim W)32, 44 and 88mm pilot holes are provided on both sides.

PULL OUT DIRECTION

PULL OUT DIRECTION

COVER TAPE (上盖带) PULL OUT DIRECTION

(PEELING ANGLE)

CARRIER TAPE (下载带)

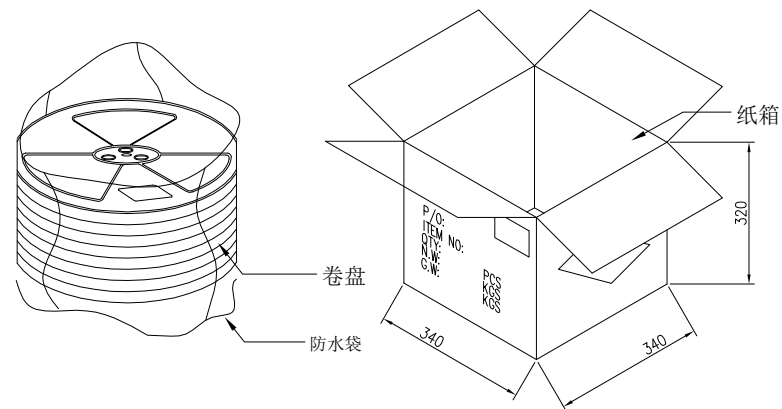
REEL (胶盘)

GP LABEL (环保标签) (1PCS)

LABEL (标签)

$\phi 330$

W+4



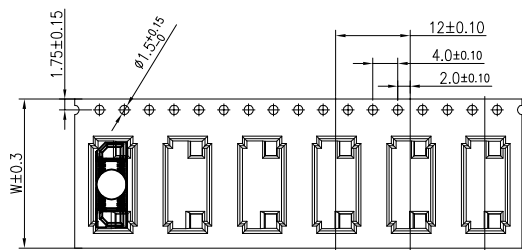
HIGHLY	PIN NO.	W	C	PCS /REEL	REEL/CARTON	SUM(PCS)
5.0	10PIN/20PIN	24	—	700	10	7000
	22PIN/30PIN	32	28.4	700	8	5600
	32PIN/40PIN	44	40.4	700	6	4200
	42PIN/80PIN	56	52.4	700	5	3500
	100PIN/120PIN	72	64.4	700	4	2800
	122PIN/150PIN	88	76.4	700	3	2100

REV.	REVISION RECORD	DATE	GENERAL TOLERANCES		SCALE:	NAME	DATE	PART.NO:	DWG.NO:	WanLian Technology Co., Ltd	
A0	NEW RELEASE	21.01.13	 LINEAR 0.0 ± 0.35	 ANGLES $X^{\circ} \text{REF} \pm 6^{\circ}$	1:1	Wang_jr	21.01.13	B0805XXXF0-2XX2XX01	ENDE05	 万连科技	
					 UNIT:mm 0.00 ± 0.25	 $X^{\circ} \pm 3^{\circ}$	APPROVED	Wang_jr	21.01.13	TITLE:	
			 SIZE: A4 0.000 ± 0.10	$X^{\circ} X^{\circ} \pm 2^{\circ}$	DESIGNER	Wang_jr	21.01.13	PACKAGE DRAWING 1			
					DRAWN	Wang_jr	21.01.13				

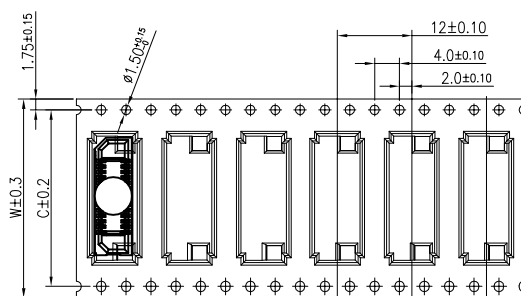
The product using material and processing must conform to the "WI-PZ-142"HSF technical standard control requirements

RoHS+HF

Tape width 16 and 24 mm



Tape width 32 and 88 mm



NOTE:

1. Sprocket hole pitch cumulative tolerance ± 0.20 .
2. Carrier camber is within 1mm in 100mm.
3. Material: white conductive polystyrene alloy.
4. Material Thickness: 0.35 ± 0.05 mm.
5. For tape width(dim W)16 and 24mm pilot holes are provided on one sides.
For tape width(dim W)32, 44 and 88mm pilot holes are provided on both sides.

PULL OUT DIRECTION

PULL OUT DIRECTION

COVER TAPE (上盖带)

PULL OUT DIRECTION

(PEELING ANGLE)

CARRIER TAPE (下载带)

REEL (胶盘)

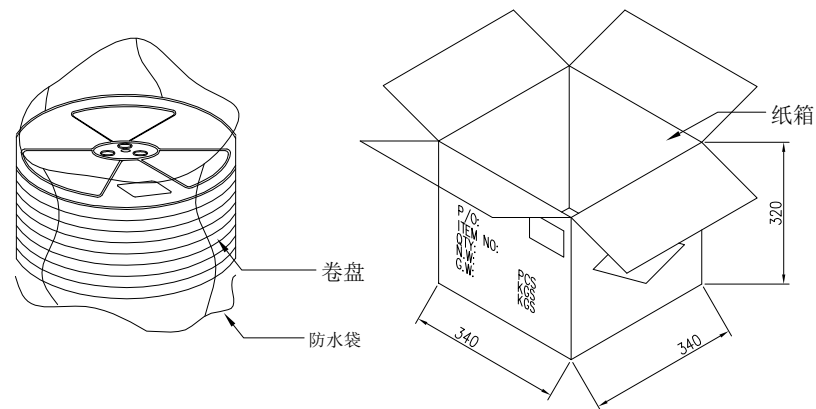
GP LABEL (环保标签) (1PCS)

Ø13.5


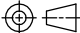
LABEL (标签)

Ø330

W+4



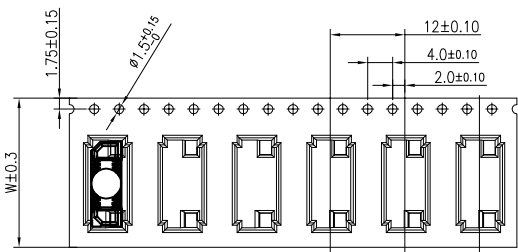
HIGHLY	PIN NO.	W	C	PCS /REEL	REEL/CARTON	SUM(PCS)
9.0	10PIN/20PIN	24	—	400	10	4000
	22PIN/30PIN	32	28.4	400	8	3200
	32PIN/40PIN	44	40.4	400	6	2400
	42PIN/80PIN	56	52.4	400	5	2000
	100PIN/120PIN	72	64.4	400	4	1600
	122PIN/150PIN	88	76.4	400	3	1200

REV.	REVISION RECORD	DATE	GENERAL TOLERANCES		SCALE:	NAME	DATE	PART.NO:	DWG.NO:	 WanLian Technology Co., Ltd
A0	NEW RELEASE	21.01.13		LINEAR	1:1	Wang_jr	21.01.13	B0805XXF0-2XX2XX01	ENDE05	
				ANGLES						
			UNIT:mm	0.00±0.25	X'±3'	DESIGNER	Wang_jr	21.01.13	TITLE:	
			SIZE: A4	0.000±0.10	X'X' ±2'	DRAWN	Wang_jr	21.01.13	PACKAGE DRAWING 2	SHEET: 3/4

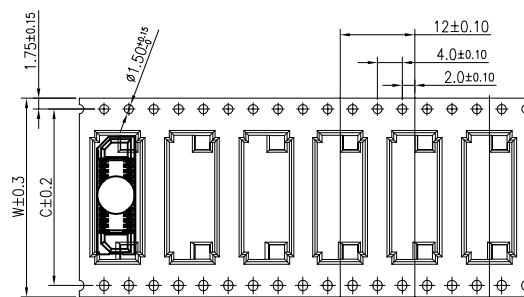
The product using material and processing must conform to the "WI-PZ-142"HSF technical standard control requirements

RoHS+HF

Tape width 16 and 24 mm



Tape width 32 and 88 mm



NOTE:

- 1.10 Sprocket hole pitch cumulative tolerance ± 0.20 .
- 2.Carrier camber is within 1mm in 100mm.
- 3.Material: white conductive polystyrene alloy.
- 4.Material Thickness: 0.35 ± 0.05 mm.
- 5.For tape width(dim W)16 and 24mm pilot holes are provided on one sides.
For tape width(dim W)32, 44 and 88mm pilot holes are provided on both sides.

PULL OUT DIRECTION

PULL OUT DIRECTION

COVER TAPE (上盖带)

PULL OUT DIRECTION

(PEELING ANGLE)

CARRIER TAPE (下载带)

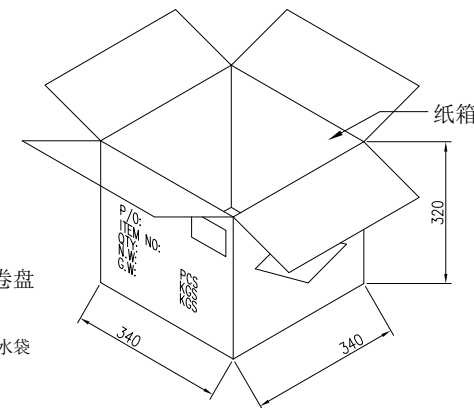
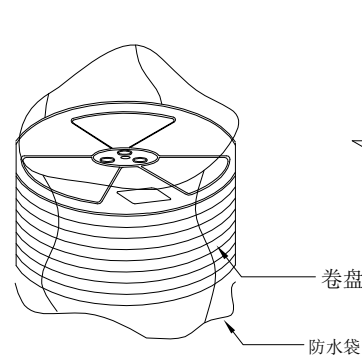
REEL (胶盘)

GP LABEL (环保标签) (1PCS)

LABLE (标签)

Ø330

W+4



HIGHLY	PIN NO.	W	C	PCS /REEL	REEL/CARTON	SUM(PCS)
7.0	10PIN/20PIN	24	—	500	10	4000
	22PIN/30PIN	32	28.4	500	8	3200
	32PIN/40PIN	44	40.4	500	6	2400
	42PIN/80PIN	56	52.4	500	5	2000
	100PIN/120PIN	72	64.4	500	4	1600
	122PIN/150PIN	88	76.4	500	3	1200

REV.	REVISION RECORD	DATE
A0	NEW RELEASE	21.01.13

GENERAL TOLERANCES	
LINEAR	ANGLES
0.0±0.35	X°REF±6'
0.00±0.25	X'±3'
0.000±0.10	X°X'±2'

SCALE:	NAME	DATE
1:1	Wang_jr	21.01.13
APPROVED	Wang_jr	21.01.13
DESIGNER	Wang_jr	21.01.13
DRAWN	Wang_jr	21.01.13

PART.NO:	TITLE:
B0805XXF0-2XX2XX01	PACKAGE DRAWING 3

DWG.NO:
ENDE05

万进科技
WanLian Technology Co., Ltd
REV: A0 SHEET: 4/4