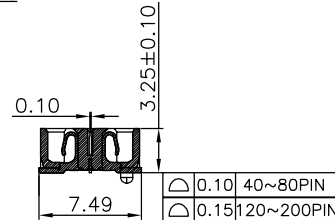
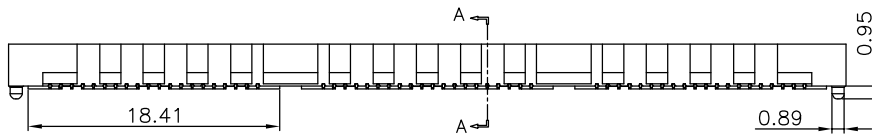
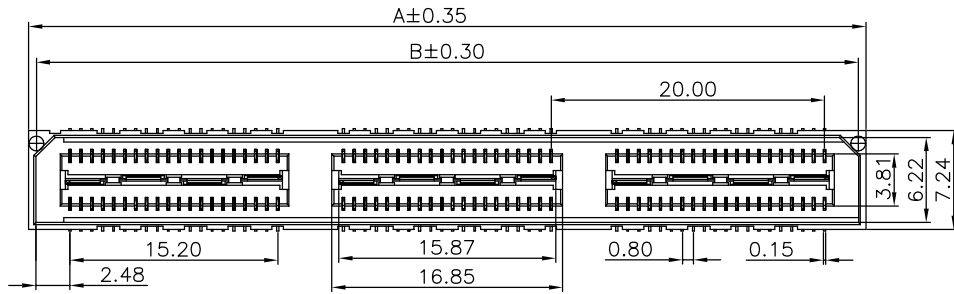
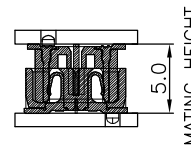


The product using material and processing must conform to the "WI-PZ-001" HSF technical standard control requirements

RoHS+HF



SECTION:A-A



MATING HEIGHT

NOTE:

- 1.MATERIAL SPECIFICATION:
  - 1-1.HOUSING: LCP,UL94V-0
  - 1-2.CONTACTS: PHOSPHOR BRONZE
- 2.PLATING SPECIFICATION:
  - 2-1.CONTACTS:
    - 2:3u" GOLD IN CONTACT AREA,MATTE TIN ON TALL
    - 4:10u" GOLD IN CONTACT AREA,MATTE TIN ON TALL
- 3.ELECTRICAL PERFORMANCE:
  - 3-1.CURRENT RATING: 2A  
RATED VOLTAGE : 225V AC
  - 3-2.CONTACT RESISTANCE: 15 mΩ MAX
  - 3-3.INSULATION RESISTANCE: 500MΩ Min
  - 3-4.DIELECTRIC WITHSTANDING : 675V AC
- 4.ENVIRONMENTAL PERFORMANCE:
  - 4-1.OPERATING TEMPERATURE: -55°C~+125°C.
- 5.PACKAGE SPEC: REEL
- 6.P/N: B0809 32 F 0-2 XX 2 X X 01

SERIES NO: \_\_\_\_\_ COLOR: A-BLACK S-NATURE

HEIGHT: \_\_\_\_\_ PLATING: 2-Au 3u" 4-Au 10u" A-ALL AU G/F

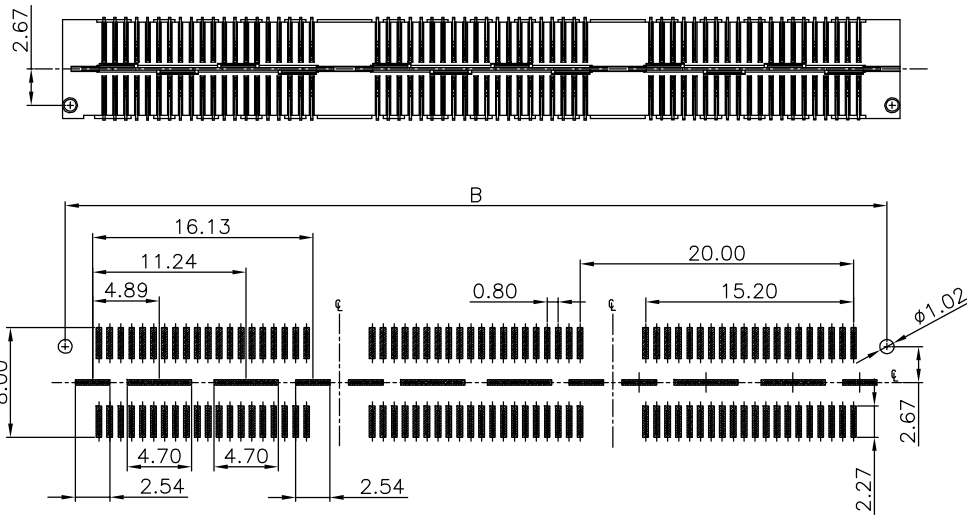
MALE FEMALE: \_\_\_\_\_ TERMPOINT: 2-SMT

ANGLE: \_\_\_\_\_ PIN Q'PY: 40~200

0-180°

ROW NO: \_\_\_\_\_

2-DOUBLE ROW



PCB Layout  
TOLERANCE:±0.05

Circuit	Dimensions(mm)	
	A	B
40	21.28	20.13
80	41.28	40.13
120	61.28	60.13
160	81.28	80.13
200	101.28	100.13

REV.	REVISION RECORD	DATE	GENERAL TOLERANCES		SCALE:	NAME	DATE	PART.NO:	DWG.NO:
A0	NEW RELEASE	22.03.19	LINEAR	ANGLES	1:1	Wang_jr	22.03.19	B080932F0-2XX2XX01	ENDE05
			0.0±0.35	X'REF±6°	APPROVED	XueZe_Ma	22.03.19	TITLE: Board to Board Pitch0.8 H3.2mm单槽双排 SMT型母座(高速传输15G)	WanLian Technology Co., Ltd
			0.00±0.25	X'±3°	CHECK	LanXuan_Hou	22.03.19		
			0.000±0.10	X'X' ±2°	DRAWN				
			UNIT:mm					REV: A0	SHEET: 1/2
			SIZE: A4						

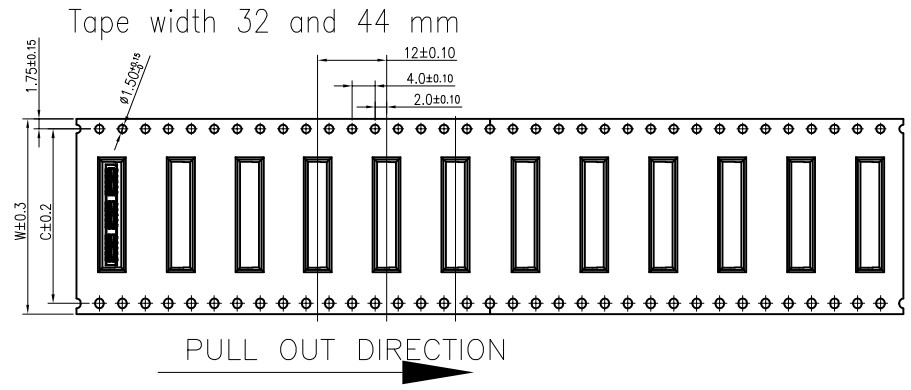


WanLian Technology Co., Ltd

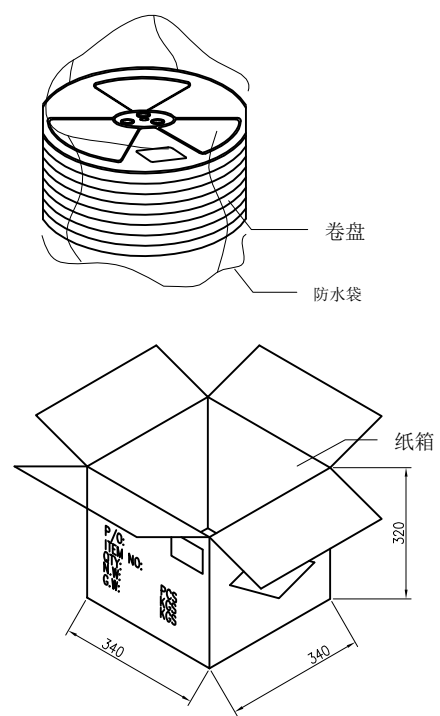
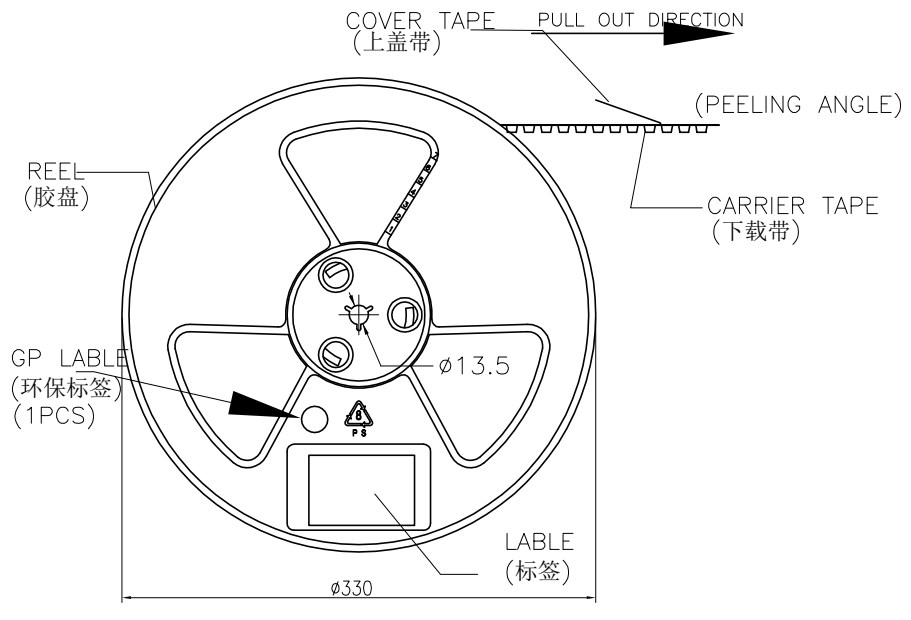
REV: A0 SHEET: 1/2

The product using material and processing must conform to the "WI-PZ-001"HSF technical standard control requirements


RoHS+HF



- NOTE:
- 1.10 Sprocket hole pitch cumulative tolerance  $\pm 0.20$ .
  - 2.Carrier camber is within 1mm in 100mm.
  - 3.Material: white conductive polystyrene alloy.
  - 4.Material Thickness:  $0.4 \pm 0.05$ mm.
  - 5.For tape width(dim W)32 and 44mm pilot holes are provided on one sides.



PIN NO.	W	C	PCS /REEL	REEL/CARTON	SUM(PCS)
40pin	32	28.4	1000	8	8000
80pin	44	40.4	700	6	4200

REV.	REVISION RECORD	DATE	GENERAL TOLERANCES		SCALE:	NAME	DATE	PART.NO:	DWG.NO:
AO	NEW RELEASE	22.03.19	LINEAR	ANGLES	1:1	Wang_jr	22.03.19	B080932F0-2XX2XX01	ENDE05
			0.0±0.35	X'REF±6'	APPROVED	XueZe_Ma	22.03.19	Board to Board Pitch0.8 H3.2mm单槽双排 SMT型母座 (高速传输15G)	 WanLian Technology Co., Ltd
			0.00±0.25	X'±3'	CHECK	LanXuan_Hou	22.03.19		
			0.000±0.10	X'X' ±2'	DRAWN				
			UNIT:mm					TITLE:	REV: A0 SHEET: 2/2