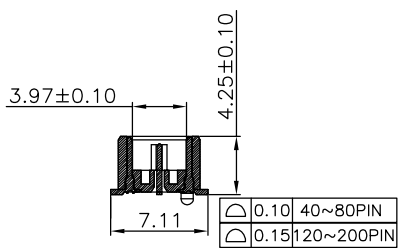
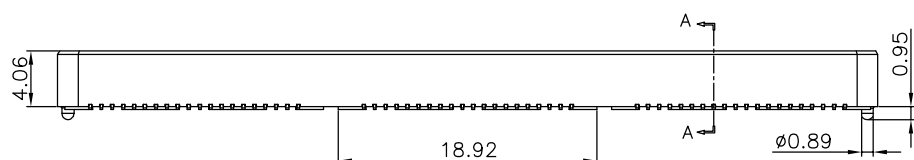
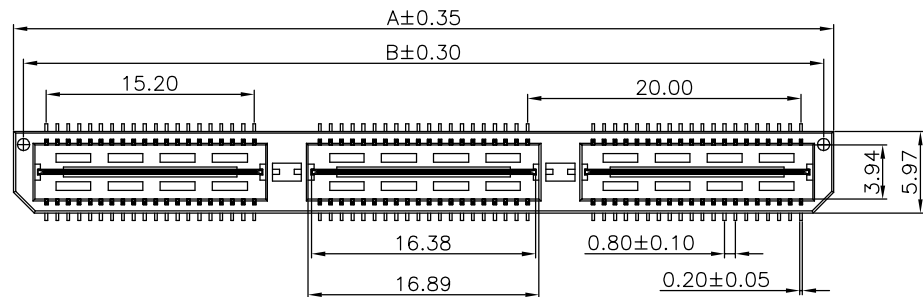
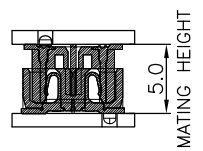


The product using material and processing must conform to the "WI-PZ-001" HSF technical standard control requirements

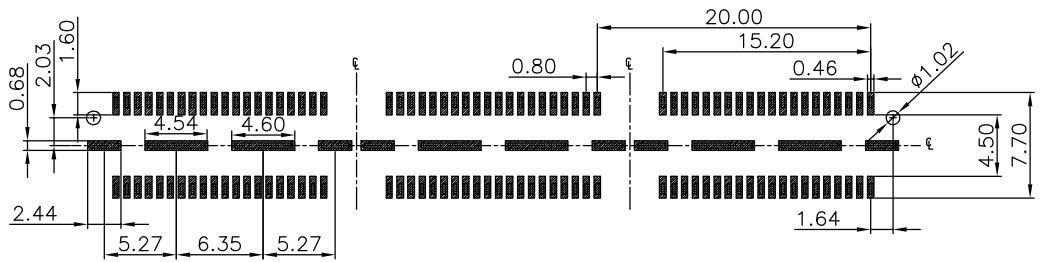
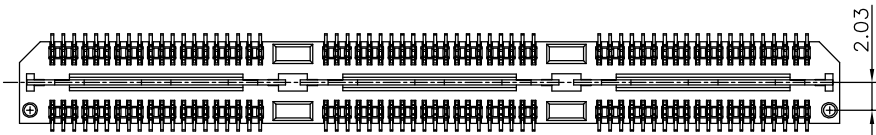
RoHS+HF



SECTION:A-A




MATING HEIGHT



PCB Layout
TOLERANCE:±0.05

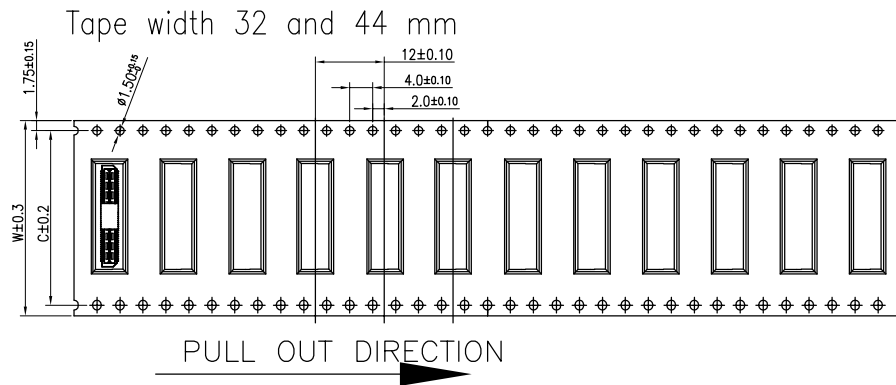
NOTE:
 1.MATERIAL SPECIFICATION:
 1-1.HOUSING: LCP,UL94V-0
 1-2.CONTACTS: PHOSPHOR BRONZE
 2.PLATING SPECIFICATION:
 2-1.CONTACTS:
 2:3u" GOLD IN CONTACT AREA,MATTE TIN ON TALL
 4:10u" GOLD IN CONTACT AREA,MATTE TIN ON TALL
 3.ELECTRICAL PERFORMANCE:
 3-1.CURRENT RATING: 2A
 RATED VOLTAGE : 225V AC
 3-2.CONTACT RESISTANCE: 15 mΩ MAX
 3-3.INSULATION RESISTANCE: 500MΩ Min
 3-4.DIELECTRIC WITHSTANDING : 675V AC
 4.ENVIRONMENTAL PERFORMANCE:
 4-1.OPERATING TEMPERATURE: -55°C~+125°C.
 5.PACKAGE SPEC: REEL
 6.P/N: B0809 42 M 0-2 XX 2 X X 01
 SERIES NO: _____ COLOR:
 HEIGHT: _____ A-BLACK
 42: 4.2mm S-NATURE
 MALE FEMALE: _____ PLATING:
 M-MALE 2-Au 3u"
 4-Au 10u"
 A-ALL AU G/F
 ANGLE: _____ TERMIPOINT:
 0-180° 2-SMT
 ROW NO: _____ PIN Q'PY:
 2-DOUBLE ROW 40~200

Circuit	Dimensions(mm)	
	A	B
40	20.00	18.48
80	40.00	38.48
120	60.00	58.48
160	80.00	78.48
200	100.00	98.48

REV.	REVISION RECORD	DATE	GENERAL TOLERANCES		SCALE:	NAME	DATE	PART.NO:	DWG.NO:	 WanLian Technology Co., Ltd REV: A0 SHEET: 1/2
A0	NEW RELEASE	22.03.19	LINEAR	ANGLES	1:1	Wang_jr	22.03.19	B080942M0-2XX2XX01	ENDE05	
			0.0±0.35	X'REF±6'	APPROVED	XueZe_Ma	22.03.19	TITLE:		
			0.00±0.25	X'±3'	CHECK	LanXuan_Hou	22.03.19	Board to Board Pitch0.8 H4.2mm单槽双排 SMT型公座(高速传输15G)		
			UNIT:mm	X'X' ±2'	DRAWN					
			SIZE: A4	0.000±0.10						

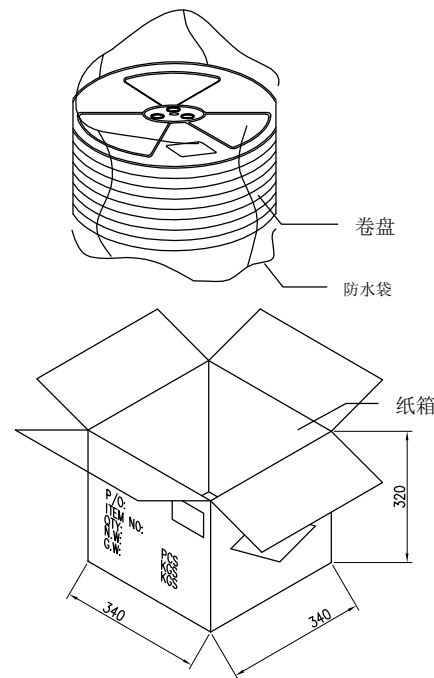
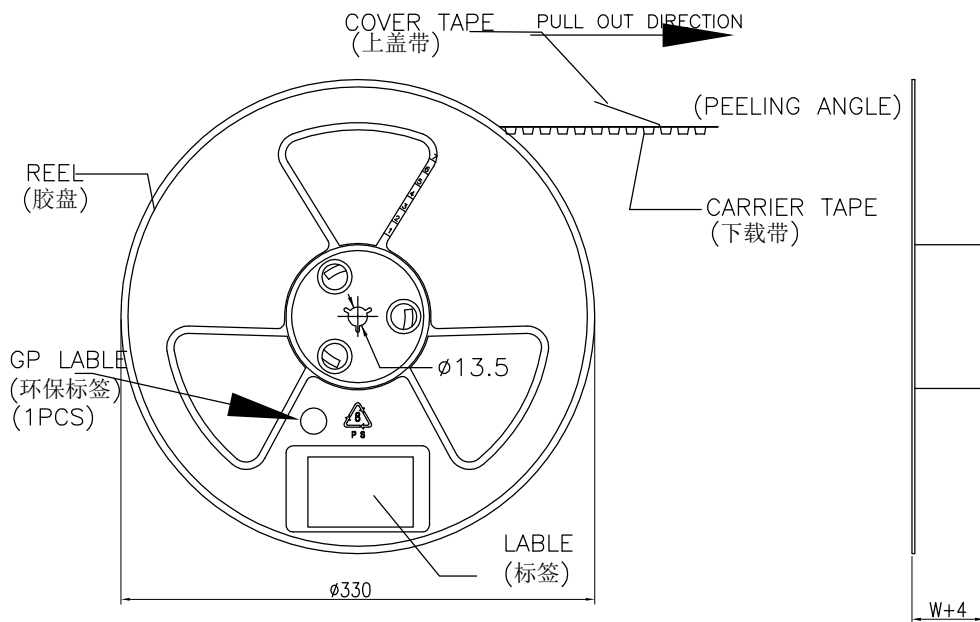
The product using material and processing must conform to the "WI-PZ-001" HSF technical standard control requirements

RoHS+HF



NOTE:

- 1.10 Sprocket hole pitch cumulative tolerance ± 0.20 .
2. Carrier camber is within 1mm in 100mm.
3. Material: white conductive polystyrene alloy.
4. Material Thickness: 0.4 ± 0.05 mm.
5. For tape width(dim W)32 and 44mm pilot holes are provided on one sides.



PIN NO.	W	C	PCS /REEL	REEL/CARTON	SUM(PCS)
40pin	32	28.4	1000	8	8000
80pin	44	40.4	700	6	4200

REV.	REVISION RECORD	DATE		GENERAL TOLERANCES		SCALE: 1:1	NAME	DATE	PART.NO:	DWG.NO:	
AO	NEW RELEASE	22.03.19		LINEAR	ANGLES						
			UNIT:mm	0.00±0.25	X'±3'	CHECK	XueZe_Ma	22.03.19	TITLE: Board to Board Pitch0.8 H4.2mm单槽双排 SMT型公座(高速传输15G)		WanLian Technology Co., Ltd REV: A0 SHEET: 2/2
			SIZE: A4	0.000±0.10	X'X' ±2'	DRAWN	LanXuan_Hou	22.03.19			