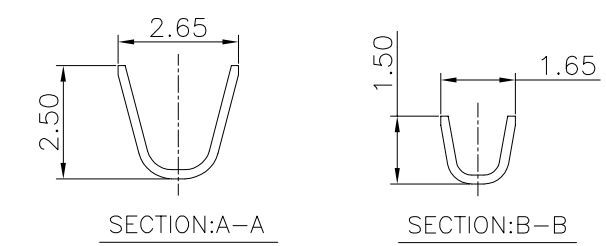
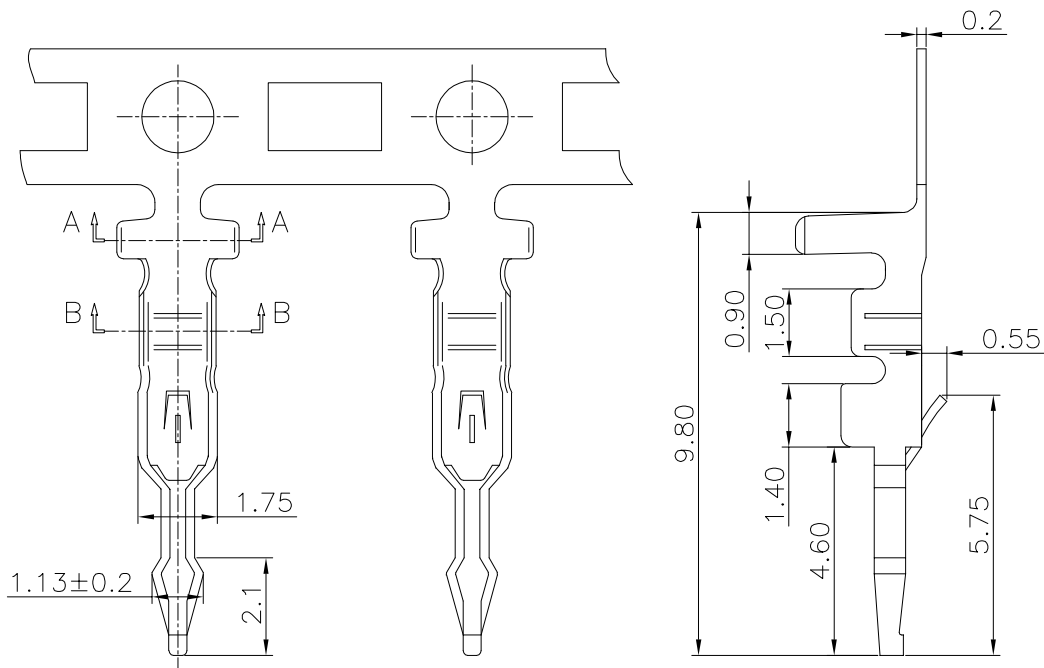


The product using material and processing must conform to the "WI-PZ-001" HSF technical standard control requirements

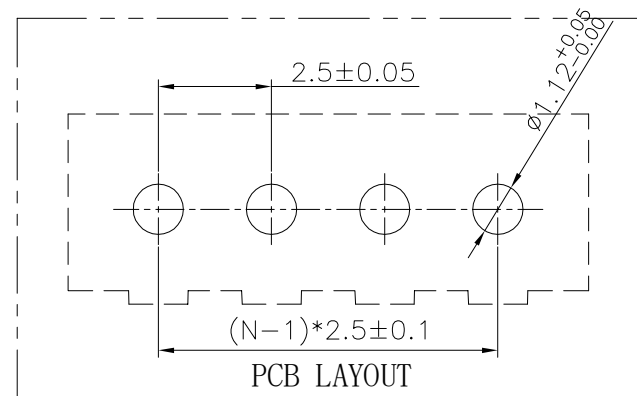
RoHS




NOTE:

- MATERIAL SPECIFICATION:
  - 1.TERMINAL: PHOSPHOR BRONZE
- PLATING SPECIFICATION:
  - 1.TERMINAL: BRIGHT TIN
- ELECTRICAL PERFORMANCE:
  - 1.CURRENT RATING: 3.0A
  - RATED VOLTAGE : 125V
  - 2.CONTACT RESISTANCE: 10 mΩ MAX
  - 3.INSULATION RESISTANCE: 1000MΩ Min
  - 4.DIELECTRIC WITHSTANDING : 1000V AC
- ENVIRONMENTAL PERFORMANCE:
  - 1.OPERATING TEMPERATURE: -25°C~+85°C.
- PACKAGE SPEC : REEL
- P/N:

SERIES NO: B2512 T M 0 X-X  
 CONNECTOR: T-TERMINAL  
 MALE FEMALE: M-MALE  
 PLATING: C-BRIGHT TIN  
 METAL: P-PHOSPHOR BRONZE  
 ANGLE: 0-180°



REV.	REVISION RECORD	DATE	UNIT:mm	GENERAL TOLERANCES		SCALE:	NAME	DATE	PART.NO: B2512TMOX-X	DWG.NO: ENDE05	 WanLian Technology Co., Ltd
AO	NEW RELEASE	22.10.28		LINEAR	ANGLES	1:1	APPROVED	Wang_jr			
			0.00±0.25	X'±3'	CHECK	XueZe_Ma	22.10.28	TITLE: Pitch 2.5mm 180°SCN 端子 22#~26#		REV: A0	SHEET: 1/1
			0.00±0.10	X'X' ±2'	DRAWN	LanXuan_Hou	22.10.28				