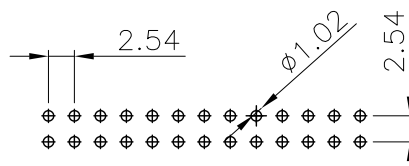
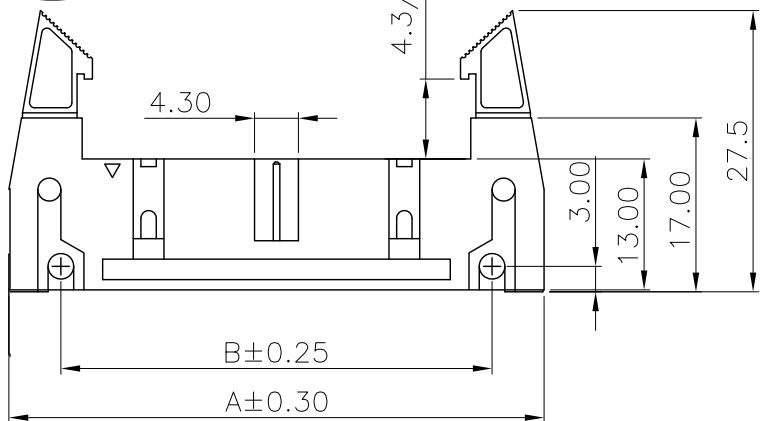
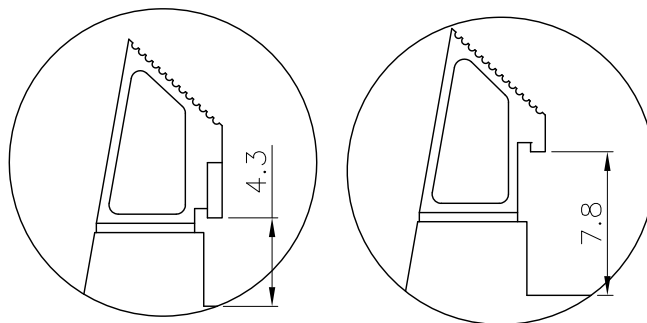


The product using material and processing must conform to the "WL-PZ-001" HSF technical standard control requirements

RoHS

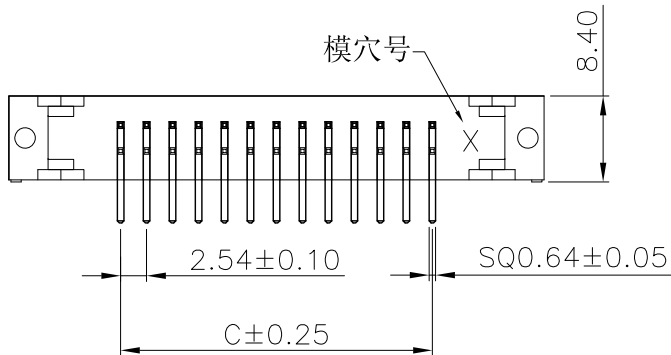


PCB LAYOUT

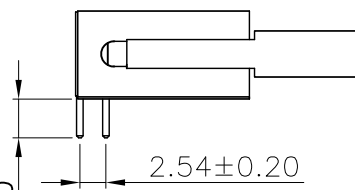


SHORT LATCH (短勾)

LONG LATCH (长勾)

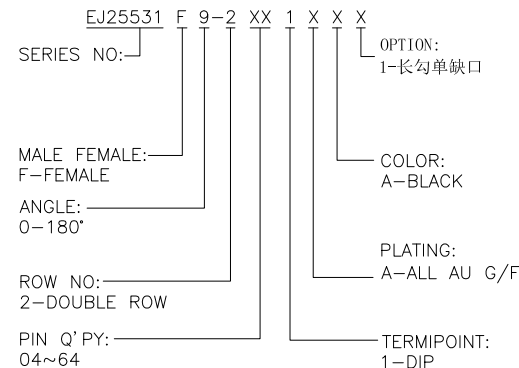


3.80±0.20



NOTE:

1. MATERIAL SPECIFICATION:
  - 1-1. HOUSING: PBT, UL94V-0
  - 1-2. CONTACTS: BRASS
2. PLATING SPECIFICATION:
  - 2-1. CONTACTS: TIN/GOLD FLASH PLATED OVER ALL.
3. ELECTRICAL PERFORMANCE:
  - 3-1. CURRENT RATING: 3A
  - RATED VOLTAGE : 250V AC/DC
  - 3-2. CONTACT RESISTANCE: 30 mΩ MAX
  - 3-3. INSULATION RESISTANCE: 1000MΩ Min
  - 3-4. DIELECTRIC WITHSTANDING : 1000V
4. ENVIRONMENTAL PERFORMANCE:
  - 4-1. OPERATING TEMPERATURE: -40°C~+105°C.
5. PACKAGE SPEC: TRAY
6. P/N:



Ordering Information & Dimensions

| Poles | Dimensions (mm) |       |       | Poles | Dimensions (mm) |       |       |
|-------|-----------------|-------|-------|-------|-----------------|-------|-------|
|       | A               | B     | C     |       | A               | B     | C     |
| 2*2P  | 24.38           | 14.22 | 2.54  | 2*18P | 65.02           | 54.86 | 43.18 |
| 2*3P  | 26.92           | 16.76 | 5.08  | 2*19P | 67.56           | 57.40 | 45.72 |
| 2*4P  | 29.46           | 19.30 | 7.62  | 2*20P | 70.10           | 59.94 | 48.26 |
| 2*5P  | 32.00           | 21.84 | 10.16 | 2*21P | 72.64           | 62.48 | 50.80 |
| 2*6P  | 34.54           | 24.38 | 12.70 | 2*22P | 75.18           | 65.02 | 53.34 |
| 2*7P  | 37.08           | 26.92 | 15.24 | 2*23P | 77.72           | 67.56 | 55.88 |
| 2*8P  | 39.62           | 29.46 | 17.78 | 2*24P | 80.26           | 70.10 | 58.42 |
| 2*9P  | 42.16           | 32.00 | 20.32 | 2*25P | 82.80           | 72.64 | 60.96 |
| 2*10P | 44.70           | 34.54 | 22.86 | 2*26P | 85.34           | 75.18 | 63.50 |
| 2*11P | 47.24           | 37.08 | 25.40 | 2*27P | 87.88           | 77.72 | 66.04 |
| 2*12P | 49.78           | 39.62 | 27.94 | 2*28P | 90.42           | 80.26 | 68.58 |
| 2*13P | 52.32           | 42.16 | 30.48 | 2*29P | 92.96           | 82.80 | 71.12 |
| 2*14P | 54.86           | 44.70 | 32.02 | 2*30P | 95.50           | 85.34 | 73.66 |
| 2*15P | 57.40           | 47.24 | 35.56 | 2*31P | 98.04           | 87.88 | 76.20 |
| 2*16P | 59.94           | 49.78 | 38.10 | 2*32P | 100.58          | 90.42 | 78.74 |
| 2*17P | 62.48           | 52.32 | 40.64 |       |                 |       |       |

| REV. | REVISION RECORD | DATE     | UNIT:mm  | GENERAL TOLERANCES |          | SCALE:   | NAME        | DATE     | PART.NO:                                   | DWG.NO: | <br>WanLian Technology Co., Ltd |
|------|-----------------|----------|----------|--------------------|----------|----------|-------------|----------|--|---------|--|
| A0   | NEW RELEASE     | 21.11.17 |          |                    | LINEAR   | ANGLES   | 1:1         |          |  |         |  |
|      |                 |          |          | 0.0±0.35           | X°REF±6° | APPROVED | Wang_jr     | 21.11.17 | TITLE: Pitch 2.54mm 90° 双排 DIP 牛角 PC:3.8MM |         | REV: A0  |
|      |                 |          | SIZE: A4 | 0.00±0.25          | X°±3°    | DESIGNER | Han_Gao     | 21.11.17 |  |         | SHEET: 1/2   |
|      |                 |          |          | 0.000±0.10         | X°X' ±2° | DRAWN    | Zijun_Huang | 21.11.17 |  |         |  |