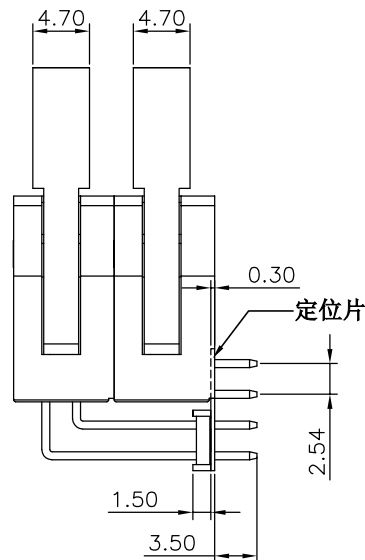
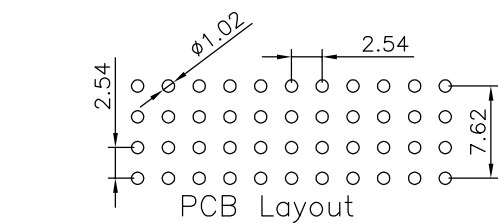
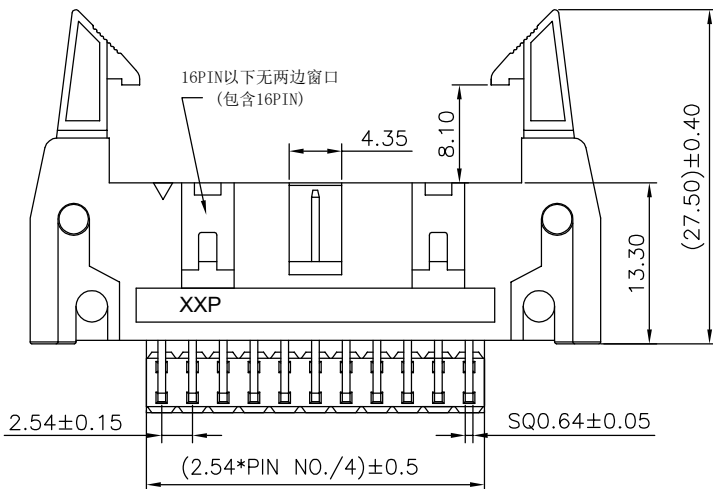
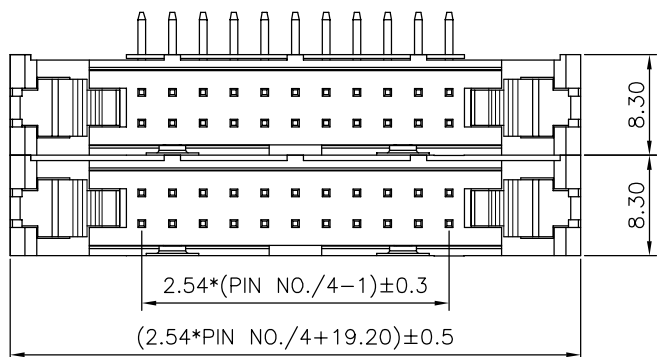


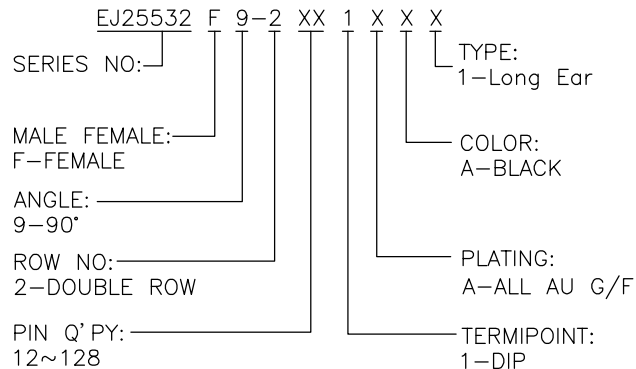
The product using material and processing must conform to the "WI-PZ-001" HSF technical standard control requirements

RoHS



NOTE:

- 1.MATERIAL SPECIFICATION:
 - 1-1.HOUSING: PA6T,UL94V-0
 - 1-2.CONTACTS: BRASS
- 2.PLATING SPECIFICATION:
 - 2-1.CONTACTS: TIN/GOLD FLASH PLATED OVER ALL.
- 3.ELECTRICAL PERFORMANCE:
 - 3-1.CURRENT RATING: 3A
 - 3-2.CONTACT RESISTANCE: 30 mΩ MAX
 - 3-3.INSULATION RESISTANCE: 1000MΩ Min
 - 3-4.DIELECTRIC WITHSTANDING : 500V
- 4.ENVIRONMENTAL PERFORMANCE:
 - 4-1.OPERATING TEMPERATURE: -40°C~+105°C.
- 5.PACKAGE SPEC: TRAY
- 6.P/N:



REV.	REVISION RECORD	DATE		GENERAL TOLERANCES		SCALE: 1:1	NAME	DATE	PART.NO:	DWG.NO:	
A0	NEW RELEASE	22.03.19		LINEAR	ANGLES	APPROVED	Wang_jr	22.03.19	EJ25532F9-2XX1XXX	ENDE05	
			UNIT:mm	0.00±0.25	X'±3'	CHECK	XueZe_Ma	22.03.19	TITLE:		REV: A0 SHEET: 1/1
			SIZE: A4	0.000±0.10	X'X' ±2'	DRAWN	LanXuan_Hou	22.03.19	2.54 双排三塑90度双层长耳扣牛角 加定位片		

WanLian Technology Co., Ltd