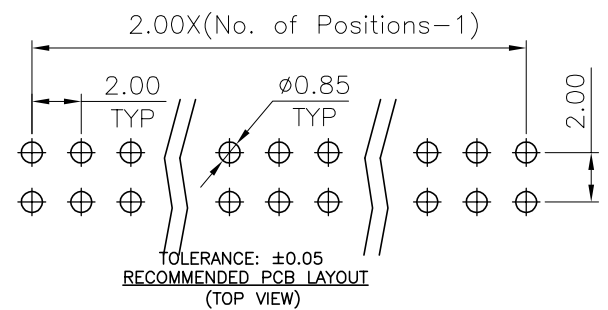
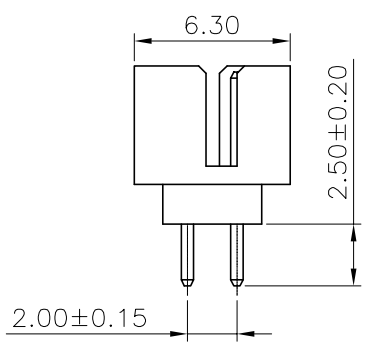
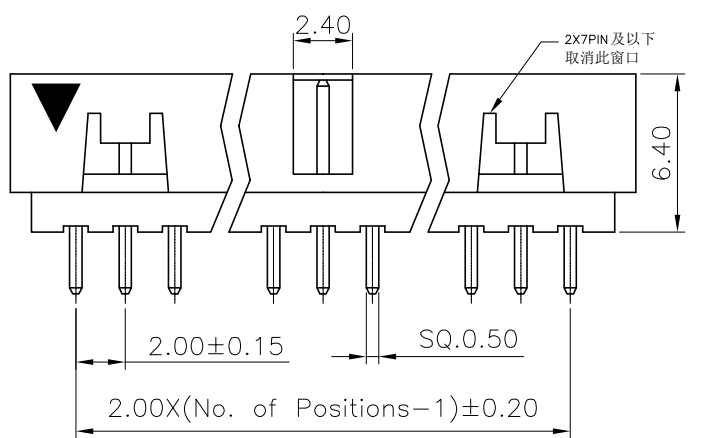
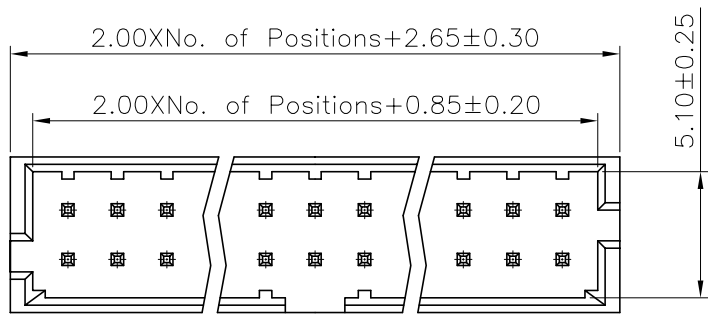


The product using material and processing must conform to the "WI-PZ-001"HSF technical standard control requirements

RoHS



NOTE:  
 1.MATERIAL SPECIFICATION:  
 1-1.HOUSING: UL94V-0  
 1-2.CONTACTS: BRASS  
 2.PLATING SPECIFICATION:  
 2-1.CONTACTS:  
 TIN/GOLD FLASH PLATED OVER ALL.  
 3.MECHANICAL PERFORMANCE:  
 3-1.RETENTIVITY FORCE: 0.4KGF/pin min  
 3-2.DURABILITY: 300 CYCLES.  
 4.ELECTRICAL PERFORMANCE:  
 4-1.CURRENT RATING: 2A  
 RATED VOLTAGE : 500V AC/DC  
 4-2.CONTACT RESISTANCE: 20 mΩ MAX  
 4-3.INSULATION RESISTANCE: 1000MΩ Min  
 4-4.DIELECTRIC WITHSTANDING : 500V  
 5.ENVIRONMENTAL PERFORMANCE:  
 5-1.OPERATING TEMPERATURE: -40°C~+105°C.  
 6.PACKAGE SPEC: TUBE  
 7.P/N:

BH20741 F 0-2 XX 1 X X X  
 SERIES NO: [ ] HOUSING:  
 1-PBT 2-PA6T  
 3-PA9T 4-LCP  
 MALE FEMALE: [ ] COLOR:  
 F-FEMALE A-BLACK  
 K-WHITE  
 S-NATURE  
 ANGLE: [ ] PLATING:  
 9-90° A-ALL AU G/F  
 0-180° C-BRIGHT TIN  
 D-MATTE Tin  
 ROW NO: [ ] TERMIPOINT:  
 2-DOUBLE ROW 1-DIP  
 PIN Q'PY: [ ]

REV.	REVISION RECORD	DATE		GENERAL TOLERANCES		SCALE: 1:1	NAME	DATE	PART.NO:	DWG.NO:	
A0	NEW RELEASE	21.10.15		LINEAR	ANGLES	APPROVED	Wang_jr	21.10.15	BH20741F0-2XX1XXX	ENDE05	
			UNIT:mm	0.00±0.25	X'±3'	DESIGNER	Gao_Han	21.10.15	TITLE:		REV: A0 SHEET: 1/1
			SIZE: A4	0.000±0.10	X'X' ±2'	DRAWN	Gao_Han	21.10.15	Pitch 2.0mm 莫仕筒牛 2XNP 塑高6.4 180度 带窗口		